

# High Pressure Gate Valve / S15

**NPS 2 - 18**  
**Cl. 900 / 1500 / 2500**  
 Class 4500 on request

Figure S15.060 ( Class 900 )  
 Figure S15.061 ( Class 1500 )  
 Figure S15.062 ( Class 2500 )

## Design

Pressure Seal

Special design of the split flexible wedge (parallel disks on request)

All forged materials without welding procedure

Ready to be actuated with ISO 5210 or DIN 3210 B1

Mechanical indicator as a standard

full bore and reduce bore

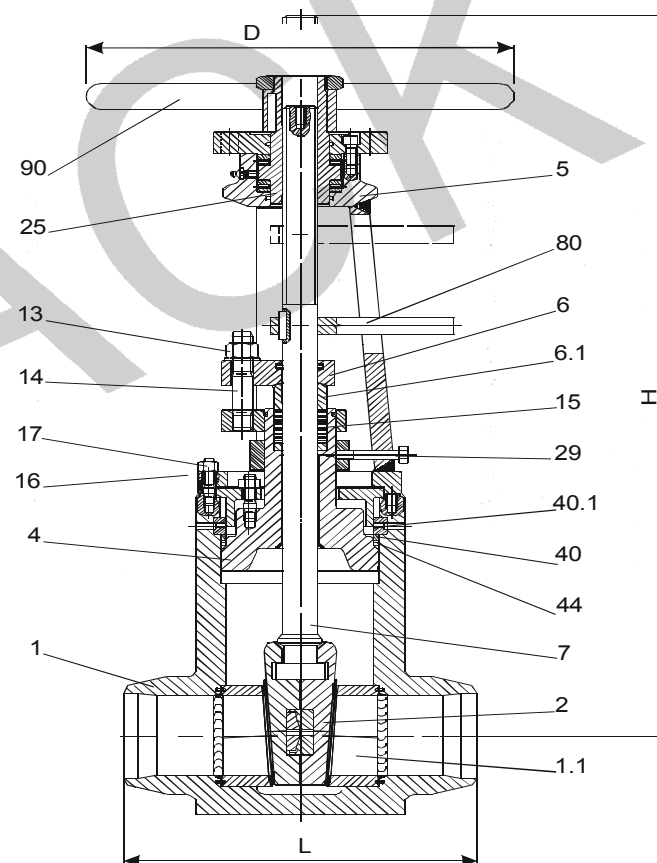
## Dimensions bigger size on request

Cl. 900	NPS	2	3	4	6	8	10	12	14	16	18
	L <sub>BW</sub>	216	305	356	508	660	725*	750*	800*	950*	1050*
	H	515	590	700	850	1050	1460	1650	1700	2100	2310
	D	300	400	500	500	500	750	750	750	750	850
	Weight ( kg )	45	70	105	220	390	695	1000	1280	1700	2020

Cl. 1500	NPS	2	3	4	6	8	10	12	14	16	18
	L <sub>BW</sub>	216	305	406	559	711	725	780*	800*	1000*	1050*
	H	515	590	700	850	1050	1500	1680	1750	2200	2450
	D	300	400	500	750	750	750	750	750	750	850
	Weight ( kg )	45	75	135	250	480	890	1170	1330	1850	2240

Cl. 2500	NPS	2	3	4	6	8	10	12	14	16	18
	L <sub>BW</sub>	216*	305*	406*	559*	711*	725*	800*	1000*	1100*	1200*
	H	515	590	700	850	1070	1550	1730	1980	2230	2500
	D	300	400	500	750	750	750	750	750	750	850
	Weight ( kg )	45	81	145	275	515	995	1305	1620	2210	2490

\* Manufacturer standard



**Materials**

Item	Part name	Heat resistant carbon steel	High temperature resistant steel
		Material	Material
1	Body	A 105 A 182 Gr. F1 A 182 Gr. F11/F12 A 182 Gr. F22	A 182 Gr. F91
1.1	Seat ring Overlay	like body Stellite 21 (≈ 32 HRC)	like body Stellite 21 (≈ 32 HRC)
2	Wedge Overlay	like body Stellite 6 (≈ 42 HRC)	like body Stellite 6 (≈ 42 HRC)
4	Pressure sealed cover	like body	like body
40.1	Segment ring	like body	like body
44	Thrust ring	like body	like body
5	Yoke	A 105	A 105
6	Gland flange	A 105	A 105
6.1	Pressure piece	A 182 Gr. F6	A 182 Gr. F6
7	Stem	>10 % Cr (1.4922)	>10 % Cr (1.4922)
13	Hexagonal nut	A 194 Gr. 4	A 194 Gr. 4
14	Stud bolt	A 193 Gr.B7	A 193 Gr.B7
15	Packing	Graphite	Graphite
16	Stud bolt	A 193 Gr.B7	A 193 Gr.B7
17	Hexagonal nut	A 194 Gr. 4	A 194 Gr. 4
25	Bearings	CuAl10Fe3Mn2F60	CuAl10Fe3Mn2F60
40	Cover gasket	Graphite	Graphite
80	Indicator	A 105	A 105
90	Handwheel	A 395	A 395

**Special materials on request.**

**Specification**

Marking	MSS SP-25, ISO 5209 (EN19, AD-A4, CE)
Face-to-face dimensions	
Butt weld ends	ASME B16.10 & Manufacturer standard
Connections	
Butt weld ends	ASME B 16.25
Pressure-temp.-rating	ASME B 16.34
Testing standard	API 598, ISO 5208 (AD-2000, DIN 3230 section 3)