

# High Pressure Gate Valve / S16

**NPS 2 - 10**  
**Cl. 900 / 1500 / 2500**

Figure S16.060 ( Class 900 )  
 Figure S16.061 ( Class 1500 )  
 Figure S16.062 ( Class 2500 )

## Design

- Bolted bonnet top
- Special design of the flexible wedge
- All forged materials without welding procedure
- Ready to be actuated with ISO 5210 or DIN 3210 B1
- Mechanical indicator as a standard

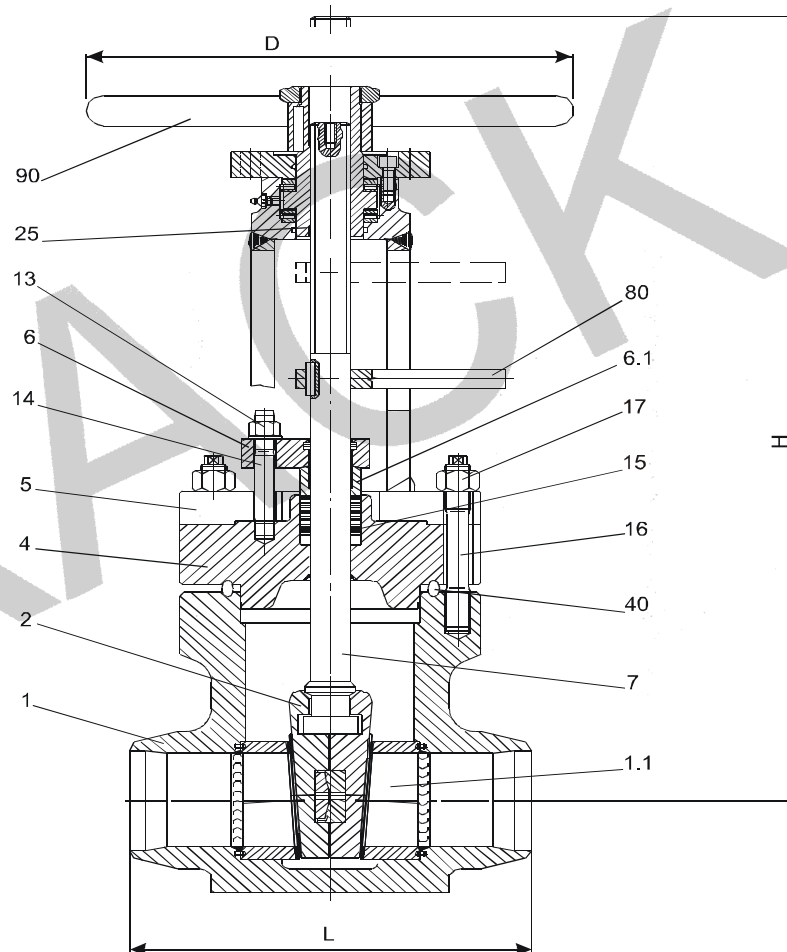
## Dimensions

Cl. 900	NPS	2	3	4	6	8	10
	L <sub>BW</sub>	216	305	356	508	660	725*
	H	515	590	700	850	1050	1460
	D	300	400	500	500	500	750
	Weight ( kg )	50	78	117	244	433	772

Cl. 1500	NPS	2	3	4	6	8	10
	L <sub>BW</sub>	216	305	406	559	711	725
	H	515	590	700	850	1050	1500
	D	300	400	500	750	750	750
	Weight ( kg )	54	84	125	263	466	830

Cl. 2500	NPS	2	3	4	6	8	10
	L <sub>BW</sub>	216*	305*	406*	559*	711*	725*
	H	515	590	700	850	1070	1550
	D	300	400	500	750	750	750
	Weight ( kg )	60	93	139	291	516	919

\* Manufacturer standard



S16.060 / S16.061 / S16.062

### Materials

Item	Part name	Heat resistant carbon steel	Low temperature steel	Stainless steel
		Material	Material	Material
1	Body	A 105 A 182 Gr. F1 A 182 Gr. F11/F12 A 182 Gr. F22 A 182 Gr. F5	A 350 Gr. LF2	A 182 Gr.F316L
1.1	Seat ring Overlay	like body Stellite 21 (≈ 32 HRC)	like body Stellite 21 (≈ 32 HRC)	like body Stellite 21 (≈ 32 HRC)
2	Wedge Overlay	like body Stellite 6 (≈ 42 HRC)	like body Stellite 6 (≈ 42 HRC)	like body Stellite 6 (≈ 42 HRC)
4	Bonnet	like body	like body	like body
40	Ring Joint	like body	like body	like body
5	Yoke	A 105	A 105	A 105
6	Gland flange	A 105	A 105	A 105
6.1	Pressure piece	A 182 Gr. F6	A 182 Gr. F7	A 182 Gr. F8
7	Stem	>10 % Cr (1.4922)	>10 % Cr (1.4922)	>10 % Cr (1.4922)
13	Hexagonal nut	A 194 Gr. 4	A 194 Gr. 5	A 194 Gr. 6
14	Stud bolt	A 193 Gr.B7	A 193 Gr.B8	A 193 Gr.B9
15	Packing	Graphite	Graphite	Graphite
16	Stud bolt	A 193 Gr.B7	A 193 Gr.B8	A 193 Gr.B9
17	Hexagonal nut	A 194 Gr. 4	A 194 Gr. 5	A 194 Gr. 6
25	Bearings	CuAl10Fe3Mn2F60	CuAl10Fe3Mn2F61	CuAl10Fe3Mn2F62
80	Indicator	A 105	A 105	A 105
90	Handwheel	A 395	A 395	A 395

Special materials on request.

### Specification

Marking	MSS SP-25, ISO 5209 (EN19, AD-A4, CE)
Face-to-face dimensions	
Butt weld ends	ASME B16.10 & Manufacturer standard
Connections	
Butt weld ends	ASME B 16.25
Pressure-temp.-rating	ASME B 16.34
Testing standard	API 598, ISO 5208 (AD-2000, DIN 3230 section 3)