

High Pressure Globe Valve / S22

NPS 2 - 10
 Cl. 900 / 1500 / 2500

Figure S22.060 (Class 900)
 Figure S22.061 (Class 1500)
 Figure S22.062 (Class 2500)

Design

- Throttling and shut-off service
- Pressure Seal design
- Ready to be actuated
- Graphite gasket and packing
- Bolted bonnet execution available
- Mechanical indication as a standard

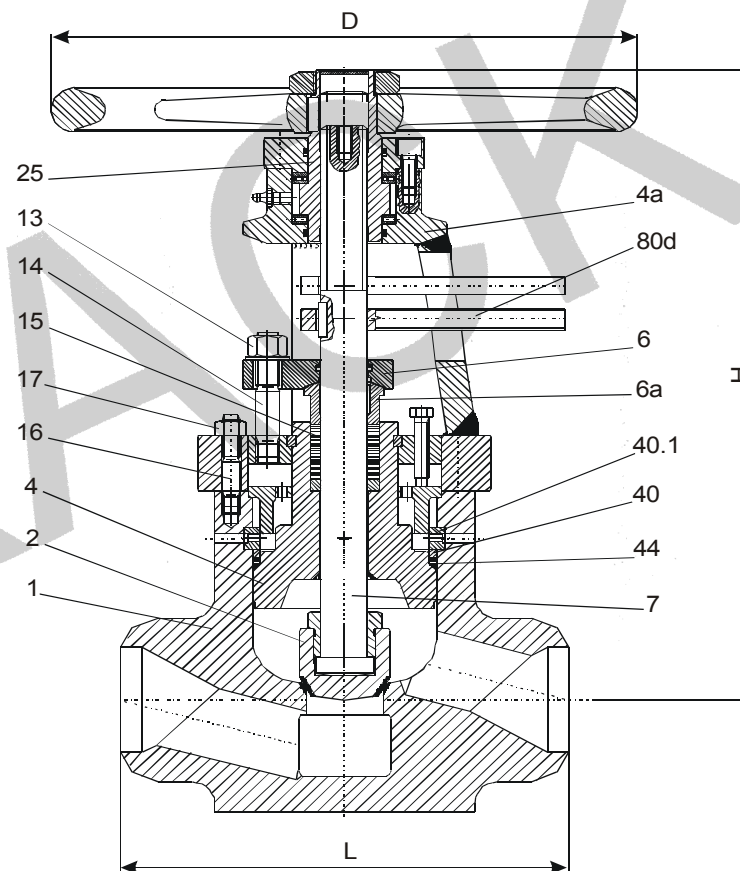
Dimensions

Cl. 900	NPS	2	3	4	6	8	10
	L _{BW}	216	305	356	508	660	725
	H	515	590	700	850	1050	1460
	D	300	400	500	500	500	750
	Weight (kg)	45	70	105	220	390	695

Cl. 1500	NPS	2	3	4	6	8	10
	L _{BW}	216	305	406	559	711	725
	H	515	590	700	850	1050	1500
	D	300	400	500	750	750	750
	Weight (kg)	45	75	135	250	480	890

Cl. 2500	NPS	2	3	4	6	8	10
	L _{BW}	216	305	406	559	711	725
	H	515	590	700	850	1070	1550
	D	300	400	500	750	750	750
	Weight (kg)	45	81	145	275	515	995

* on request bevel gear



Materials

Item	Part name	Heat resistant carbon steel	High temperature resistant steel	Stainless steel
		Material *	Material *	Material *
1	Body	A 105 A 182 Gr. F1 A 182 Gr. F11/F12 A 182 Gr. F22	A 182 Gr. F91	A 182 Gr.F316L
	Overlay	Stellite 21 (≈ 32 HRC)	Stellite 21 (≈ 32 HRC)	Stellite 21 (≈ 32 HRC)
2	Plug	A 276 Gr. 431	A 276 Gr. 431	A 479 Gr.316Ti
	Overlay	Stellite 6 (≈ 42 HRC)	Stellite 6 (≈ 42 HRC)	Stellite 6 (≈ 42 HRC)
4	Pressure sealed cover	like body material	like body material	A 479 Gr.316Ti
40.1	Segment ring	like body material	like body material	A 479 Gr.316Ti
44	Thrust ring	like body material	like body material	A 479 Gr.316Ti
4a	Yoke	A 105	A 105	A 105
6	Gland follower	A 105	A 105	A 105
6a	Pressure piece	A 276 Gr. 431	A 276 Gr. 431	A 276 Gr. 431
7	Stem	>10 % Cr (1.4922)	>10 % Cr (1.4922)	A 479 Gr.316Ti
13	Hexagonal nut	A 194 Gr. 4	A 194 Gr. 4	A 194 Gr. 4
14	Stud bolt	A 193 Gr.B7	A 193 Gr.B7	A 193 Gr.B7
15	Packing	Graphite	Graphite	Graphite
16	Stud bolt	A 193 Gr.B7	A 193 Gr.B7	A 193 Gr.B7
17	Hexagonal nut	A 194 Gr. 4	A 194 Gr. 4	A 194 Gr. 4
25	Bearings	CuAl10Fe3Mn2F60	CuAl10Fe3Mn2F60	CuAl10Fe3Mn2F60
40	Cover gasket	Graphite	Graphite	Graphite
80d	Indicator	A 105	A 105	A 105

Special materials on request.

Specification

Marking	MSS SP-25, ISO 5209 (EN19, AD-A4, CE)
Face-to-face dimensions	
Butt weld ends	Manufacturer standard
Connections	
Butt weld ends	ASME B 16.25
Pressure-temp.-rating	ASME B 16.34
Testing standard	API 598, ISO 5208 (AD-2000, DIN 3230 section 3)