

# Check Valve / S70

**NPS 2 - 24**  
**Cl. 600**

Figure S70.058 ( Class 600 )

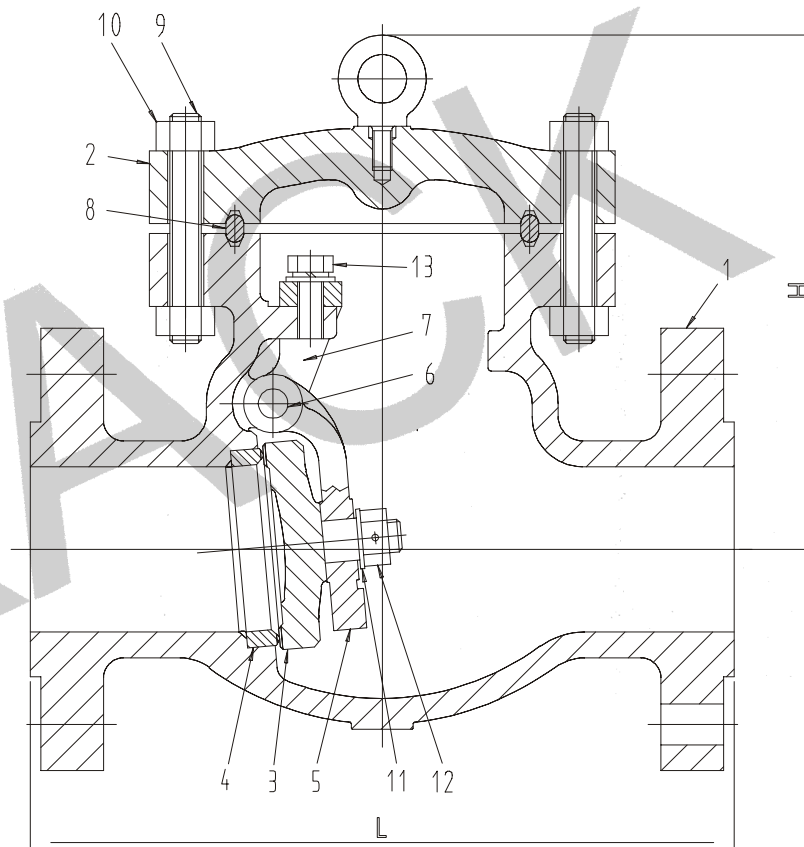
## Design

1. The valve is designed in accordance with BS 1868.
2. The painting, protection and marking of the valve shall be in accordance with MSS SP-25.

## Dimensions

Cl. 600	NPS	2	2 1/2	3	4	5	6	8
	L <sub>RF / BW</sub>	292	330	356	432	508	559	660
	L <sub>RTJ</sub>	295	333	359	435	511	562	663
	H	184	210	232	263	295	374	426
	Weight <sub>RF</sub> (kg)	28	45	56	93	160	202	339
	Weight <sub>BW</sub> (kg)	21	35	42	64	115	145	256

Cl. 600	NPS	10	12	14	16	18	20	24
	L <sub>RF / BW</sub>	787	838	889	991	1092	1194	1397
	L <sub>RTJ</sub>	790	841	892	994	1095	1200	1407
	H	517	569	622	680	752	975	1111
	Weight <sub>RF</sub> (kg)	513	750	885	1220	1620	2120	3100
	Weight <sub>BW</sub> (kg)	375	589	694	932	1279	1702	2497



S70.058

**Materials**

Item	Part name	Heat resistant carbon steel			Low temperature steel	Stainless steel
		Material up to 400°C	Material from -10°C up to 550°C	Material from -10°C up to 500°C	Material from -50°C up to 300°C	Material from -200°C up to 400°C
1	Body	A 216 WCB	A 217 WC6	A 217 C5	352 LCB	A 351 CF 8M
2	Cover	A 216 WCB	A 217 WC6	A 217 C5	352 LCB	A 351 CF 8M
5	Hinge	A 216 WCB	A 217 WC6	A 217 C5	352 LCB	A 351 CF 8M
7	Plugs	Carbon steel	Stainless steel	Stainless steel	Stainless steel	Stainless steel
8	Gasket	Manufacturer stand.	Manufacturer stand.	Manufacturer stand.	Manufacturer stand.	Manufacturer stand.
9	Bolts	A 193 Gr. B7	A 193 Gr. B16	A 193 Gr. B16	A 193 Gr. B8M	A 193 Gr. B8M
10	Nuts	A 194 Gr. 2H	A 194 Gr. 4	A 194 Gr. 4	A 194 Gr. 8M	A 194 Gr. 8M
11	Washer	Steel	Stainless steel	Stainless steel	Stainless steel	Stainless steel
12	Nuts	Steel	Stainless steel	Stainless steel	Stainless steel	Stainless steel
13	Hook screw	Steel	Steel	Steel	Steel	Steel

Special materials on request.

**Specification**

Marking	MSS SP-25, ISO 5209 (EN19, AD-A4, CE)
Face-to-face dimensions	
Flanged option	ASME B 16.10
Connections	
Flanged option	ASME B 16.5
Pressure-temp.-rating	ASME B 16.34
Testing standard	API 598, ISO 5208 (AD-2000, DIN 3230 section 3)

**Trim material to API 600**

Trim N.	Nominal Trim	Wedge seat Surface Part. n. 3	Seat ring surface Part. n. 7	Stem Part. n. 8	Backseat bushing Part. n. 9
1	F6	F6	F6	F6	F6
2	304	F304	F304	F304	F304
5	Hardfaced	Stellite	Stellite	F6	F6
8	F6 and hardfaced	F6	Stellite	F6	F6
9	Monel	Monel	Monel	Monel	Monel
10	316	F316	F316	F316	F316
12	316 and Hardfaced	Stellite	F316	F316	F316
13	Alloy 20	Alloy 20	Alloy 20	Alloy 20	Alloy 20
16	Hardfaced	Stellite	Stellite	F316	F316