

Check Valve / S70

NPS 2 - 16
Cl. 900 / 1500 / 2500

Figure S70.060 (Class 900)
Figure S70.061 (Class 1500)
Figure S70.062 (Class 2500)

Design

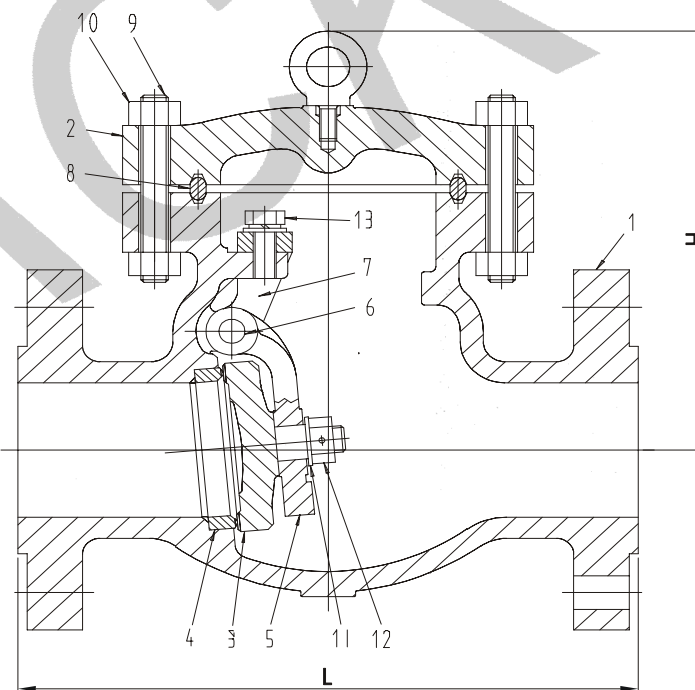
1. The valve is designed in accordance with BS 1868.
2. The painting, protection and marking of the valve shall be in accordance with MSS SP-25.

Dimensions

| Cl. 900 | NPS | 2 | 2 1/2 | 3 | 4 | 6 | 8 | 10 | 12 | 14 | 16 |
|---------|---------------------------|-----|-------|-----|-----|-----|-----|-----|------|------|------|
| | L _{RF / BW} | 368 | 419 | 381 | 457 | 610 | 737 | 838 | 965 | 1029 | 1130 |
| | L _{RTJ} | 371 | 422 | 384 | 460 | 613 | 740 | 841 | 968 | 1038 | 1140 |
| | H | 296 | 300 | 300 | 327 | 441 | 502 | 664 | 775 | 782 | 838 |
| | Weight _{RF} (kg) | 70 | 100 | 91 | 150 | 305 | 510 | 810 | 1120 | 1380 | 1900 |
| | Weight _{BW} (kg) | 50 | 77 | 68 | 113 | 230 | 387 | 632 | 901 | 1139 | 1613 |

| Cl. 1500 | NPS | 2 | 2 1/2 | 3 | 4 | 6 | 8 | 10 | 12 | 14 | 16 |
|----------|---------------------------|-----|-------|-----|-----|-----|------|------|------|------|------|
| | L _{RF / BW} | 368 | 419 | 470 | 546 | 705 | 832 | 991 | 1130 | 1257 | 1384 |
| | L _{RTJ} | 371 | 422 | 473 | 549 | 711 | 842 | 1000 | 1146 | 1276 | 1407 |
| | H | 296 | 300 | 341 | 412 | 511 | 680 | 756 | 857 | 950 | 1020 |
| | Weight _{RF} (kg) | 70 | 100 | 150 | 245 | 550 | 1010 | 1550 | 2280 | 3060 | 4500 |
| | Weight _{BW} (kg) | 50 | 77 | 115 | 190 | 452 | 845 | 1280 | 1780 | 2290 | 3500 |

| Cl. 2500 | NPS | 2 | 2 1/2 | 3 | 4 | 6 | 8 | 10 | 12 | 14 | 16 |
|----------|---------------------------|-----|-------|-----|-----|------|------|------|------|----|----|
| | L _{RF / BW} | 451 | 508 | 578 | 673 | 914 | 1022 | 1270 | 1422 | - | - |
| | L _{RTJ} | 454 | 514 | 584 | 683 | 927 | 1038 | 1292 | 1445 | - | - |
| | H | 416 | 419 | 441 | 479 | 511 | 711 | 851 | 1000 | - | - |
| | Weight _{RF} (kg) | 145 | 240 | 330 | 650 | 1400 | 2420 | 3750 | 5500 | - | - |
| | Weight _{BW} (kg) | 110 | 190 | 260 | 535 | 1110 | 1980 | 2980 | 4350 | - | - |



Materials

| Item | Part name | Heat resistant carbon steel | | | Low temperature steel | Stainless steel |
|------|------------|-----------------------------|---------------------------------|---------------------------------|---------------------------------|----------------------------------|
| | | Material up to 400°C | Material from -10°C up to 550°C | Material from -10°C up to 500°C | Material from -50°C up to 300°C | Material from -200°C up to 400°C |
| 1 | Body | A 216 WCB | A 217 WC6 | A 217 C5 | 352 LCB | A 351 CF 8M |
| 2 | Cover | A 216 WCB | A 217 WC6 | A 217 C5 | 352 LCB | A 351 CF 8M |
| 5 | Hinge | A 216 WCB | A 217 WC6 | A 217 C5 | 352 LCB | A 351 CF 8M |
| 7 | Plugs | Carbon steel | Stainless steel | Stainless steel | Stainless steel | Stainless steel |
| 8 | Gasket | Manufacturer stand. | Manufacturer stand. | Manufacturer stand. | Manufacturer stand. | Manufacturer stand. |
| 9 | Bolts | A 193 Gr. B7 | A 193 Gr. B16 | A 193 Gr. B16 | A 193 Gr. B8M | A 193 Gr. B8M |
| 10 | Nuts | A 194 Gr. 2H | A 194 Gr. 4 | A 194 Gr. 4 | A 194 Gr. 8M | A 194 Gr. 8M |
| 11 | Washer | Steel | Stainless steel | Stainless steel | Stainless steel | Stainless steel |
| 12 | Nuts | Steel | Stainless steel | Stainless steel | Stainless steel | Stainless steel |
| 13 | Hook screw | Steel | Steel | Steel | Steel | Steel |

Special materials on request.

Specification

| | |
|-------------------------|---|
| Marking | MSS SP-25, ISO 5209 (EN19, AD-A4, CE) |
| Face-to-face dimensions | |
| Flanged option | ASME B 16.10 |
| Connections | |
| Flanged option | ASME B 16.5 |
| Pressure-temp.-rating | ASME B 16.34 |
| Testing standard | API 598, ISO 5208 (AD-2000, DIN 3230 section 3) |

Trim material to API 600

| Trim N. | Nominal Trim | Wedge seat Surface Part. n. 3 | Seat ring surface Part. n. 7 | Stem Part. n. 8 | Backseat bushing Part. n. 9 |
|---------|-------------------|-------------------------------|------------------------------|-----------------|-----------------------------|
| 1 | F6 | F6 | F6 | F6 | F6 |
| 2 | 304 | F304 | F304 | F304 | F304 |
| 5 | Hardfaced | Stellite | Stellite | F6 | F6 |
| 8 | F6 and hardfaced | F6 | Stellite | F6 | F6 |
| 9 | Monel | Monel | Monel | Monel | Monel |
| 10 | 316 | F316 | F316 | F316 | F316 |
| 12 | 316 and Hardfaced | Stellite | F316 | F316 | F316 |
| 13 | Alloy 20 | Alloy 20 | Alloy 20 | Alloy 20 | Alloy 20 |
| 16 | Hardfaced | Stellite | Stellite | F316 | F316 |