

# Flo-Tite, Inc.

## Valves & Controls

### 3PC FULL BORE BALL VALVE

#### Flo-Tite's Economical **Tri-Star Series**

#### Models :

510SS	NPT	-	316SS
520SS	SW	-	316SS
410CS	NPT	-	WCB
420CS	SW	-	WCB

#### PRESSURE RATING

1500	CWP
150	SWP

Size: 1/4" Thru 2"



### DESIGN FEATURES

- ISO-5211 Type Pad
- Safety Locking Handle
- Reinforced PTFE
- Metal Name Plate Identifys all soft parts
- Cap Screws are used to insure precise alignment of valve center body & end cap
- Swing-out body design for ease of maintenance
- Full Port Design improves flow resulting in increased process efficiencies
- Blow-out proof stem
- Foundry Traceability
- Adjustable stem packing
- Triple Stem Seal V-Ring, O-Ring, Thrust Washer
- CE Certified

Ideally designed for chemical, textile, process and contractor markets where quality and price is a major consideration

[www.flotite.com](http://www.flotite.com)

**DESIGN & TECHNICAL DATA**

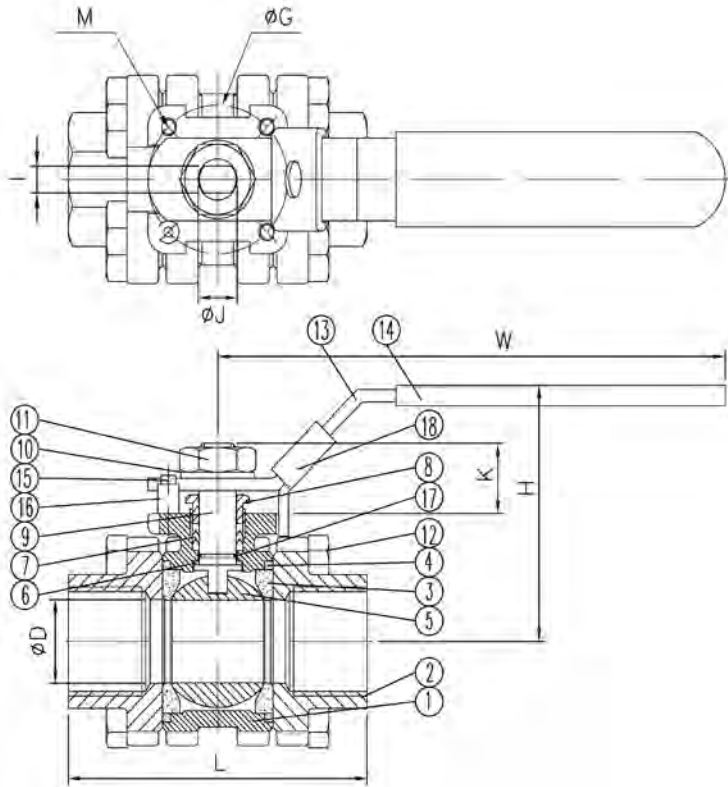
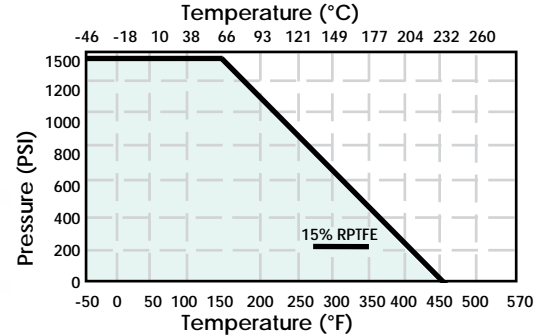
**3PC Tri-Star Series**

1500 WOG / Full Port

**Models Numbers :**

510SS	NPT	-	316SS
520SS	SW	-	316SS
410CS	NPT	-	WCB
420CS	SW	-	WCB

**PRESSURE & TEMPERATURE DATA**



**MATERIALS LIST:**

NO.	PART NAME	510SS MODEL	410CS MODEL
1	BODY	ASTM A351-CF8M	ASTM A216-WCB
2	END CAP	ASTM A351-CF8M	ASTM A216-WCB
3	SEAT *	RPTFE	RPTFE
4	GASKET *	RPTFE	RPTFE
5	BALL	ASTM A351-CF8M/316	ASTM A351-CF8/304
6	THRUST WASHER*	RPTFE	RPTFE
7	STEM PACKING *	RPTFE	RPTFE
8	GLAND	AISI 304	AISI 304
9	STEM	ASTM A276-316	ASTM A276-304
10	HANDLE WASHER	AISI 304	AISI 304
11	HANDLE NUT	AISI 304	AISI 304
12	CAP SCREW	AISI 304	CARBON STEEL
13	HANDLE	AISI 304	ZINC PLATED STEEL
14	HANDLE COVER	PVC	PVC
15	STOP SCREW	AISI 304	CARBON STEEL
16	NUT	AISI 304	CARBON STEEL
17	O-RING	VITON	VITON
18	LOCKING DEVICE	304SS	304SS

\* Parts included in repair kits

**DIMENSIONS:**

SIZE		ØD		ØG		H		I		ØJ		K		L		W		M	TORQUE		WEIGHT		ISO PAD
inch	mm	inch	mm	inch	mm	inch	mm	inch	mm	inch	mm	inch	mm	inch	mm	inch	mm		inch	CV	lbs.		
1/4"	8	0.41	10.5	1.42	36	2.17	55	0.20	5	0.31	8	0.35	9	2.56	65	5.31	135	M5	53	7	0.93	F03	
3/8"	10	0.49	12.5	1.42	36	2.17	55	0.20	5	0.31	8	0.35	9	2.56	65	5.31	135	M5	53	10	0.95	F03	
1/2"	15	0.59	15	1.42	36	2.35	59.8	0.20	5	0.31	8	0.45	11.5	2.76	70	5.31	135	M5	69	15	1.32	F03	
3/4"	20	0.79	20	1.42	36	2.46	62.5	0.24	6	0.39	10	0.59	15	3.15	80	5.31	135	M5	88	35	1.96	F03	
1"	25	1.00	25	1.65	42	2.72	69	0.31	8	0.47	12	0.63	16	3.54	90	6.50	165	M5	116	68	2.76	F04	
1 1/4"	32	1.26	32	1.65	42	3.09	78.5	0.31	8	0.47	12	0.63	18	4.13	105	6.50	165	M5	188	110	4.39	F04	
1 1/2"	40	1.50	38	1.97	50	3.59	91.3	0.31	8	0.55	14	0.79	20	4.72	120	6.89	175	M6	400	155	6.15	F05	
2"	50	1.97	50	1.97	50	3.96	100.5	0.31	8	0.55	14	0.79	20	5.28	134	8.66	220	M6	515	300	9.37	F05	

**SPECIFICATION STANDARDS:**

- All valves shell and seat tested to ANSI/ASME B16.34 & API 598
- Federal specification WWV-35, Type II
- End Connections  
Threaded ASME B1.20.1 FNPT  
Socket Weld ASME B16.11
- All materials comply with applicable ASTM material specifications
- Safety lock handle, meets requirements of OSHA 1910-147
- 1500 PSIG WOG, Cold non-shock  
150 PSIG Saturated steam