



Full Port Brass - Process Ball Valves

RB SERIES

Models : T51BZ & T52BZ

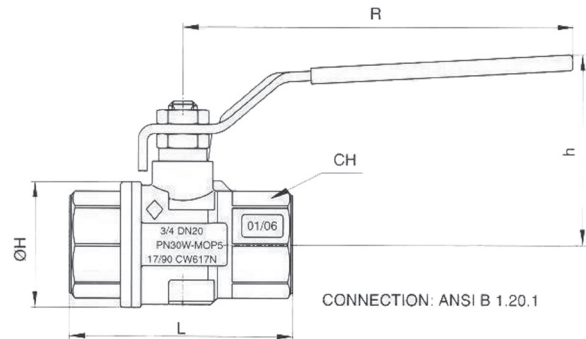
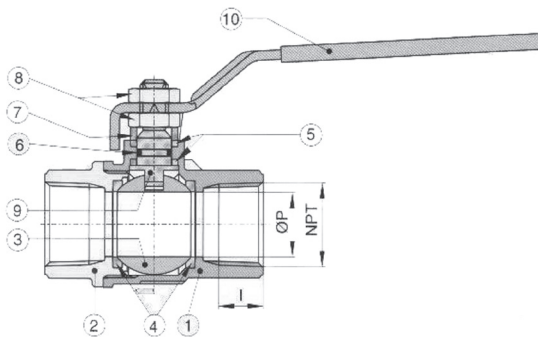
Brass ball valve, female/female. full port sizes 1/4" to 4"

- Pressure rating 600 WOG - 150 WSP
- Temperature to 366°F
- Blow out proof stem, chrome plated brass ball
- P.T.F.E. seats, seals and thrust washer
- Adjustable stem packing
- 100% electronically tested in the open and closed position at 80 PSI

- MODEL T51BZ - CHROME PLATED BRASS BALL
- MODEL T52BZ 316SS BALL & STEM
- LEVER HANDLE - SIZE 1/4" TO 4"
- T HANDLE - SIZE 1/4" TO 1"
- NICKEL PLATED - SIZE 1/4" TO 4"
- SOLDER END ALSO AVAILABLE C/F



Acc. to NSF 61



The Buna O-ring is fitted to the stem of the valve as the best possible protection against potential gas leakage under extreme duty, or low pressure applications. A secondary PTFE stem seal will also assure that the valve is suitable for use up to 366°F

NO.	PART NAME	MATERIAL	N PCS	NO.	ØP	I	L	ØH	CH	R	h	CV	PSI	Llbs
1	BODY	BRASS CW 617N UNI EN 12165	1	1/4"	0.39	0.39	2.02	0.90	0.78	3.86	1.65	6.29	600	0.33
2	END CONNECTION	BRASS CW 617N UNI EN 12165	1	3/8"	0.39	0.39	2.02	0.90	0.78	3.86	1.65	6.99	600	0.30
3	BALL	BRASS CW 617N UNI EN 12165	1	1/2"	0.59	0.53	2.44	1.18	0.98	3.86	1.81	19.00	600	0.48
4	BALL SEAT	P.T.F.E	2	3/4"	0.79	0.55	2.71	1.53	1.22	4.80	2.24	34.40	600	0.79
5	THRUST WASHER STEM SEAT	P.T.F.E	2	1"	0.98	0.66	3.07	1.92	1.49	4.80	2.44	50.10	600	1.22
6	O-RING	NBR	1	1 1/4"	1.26	0.68	3.42	2.32	1.88	6.02	3.00	103.70	600	2.14
7	PACKING GLAND	BRASS CW 614N UNI EN 12164	1	1 1/2"	1.57	0.68	3.89	2.87	2.12	6.02	3.23	268.40	600	3.20
8	NUT	STEEL 6S	2	2"	1.95	0.69	4.33	3.38	2.63	6.38	3.74	309.20	600	4.08
9	STEM	BRASS CW 614N UNI EN 12164	1	2 1/2"	2.40	0.93	5.59	4.37	3.54	8.07	4.84	629.00	600	8.28
10	HANDLE	Fe DD11 UNI EN 10111	1	3"	2.87	1.01	6.45	5.35	4.13	8.07	5.23	1018.00	600	13.00
				4"	3.82	1.09	7.60	6.35	5.12	10.24	6.49	1622.00	600	22.07



P. O. Box 1293
Lumberton, NC 28359
Website: www.flotite.com

Tel: (910) 738-8904
Fax: (910) 738-9112
E-mail: flotite@nc.rr.com

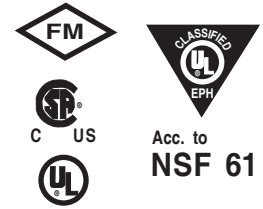


Full Port Brass - Commercial Ball Valves

RB SERIES

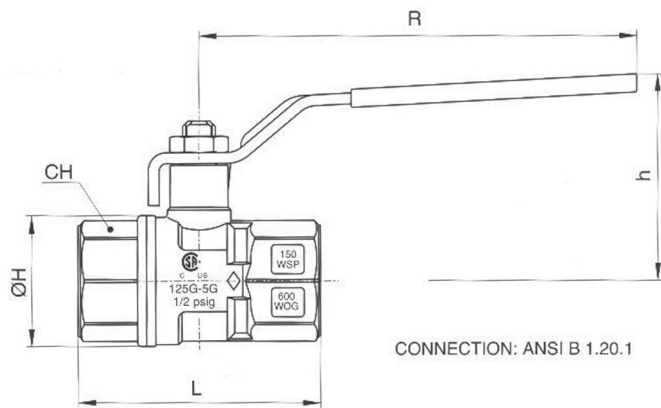
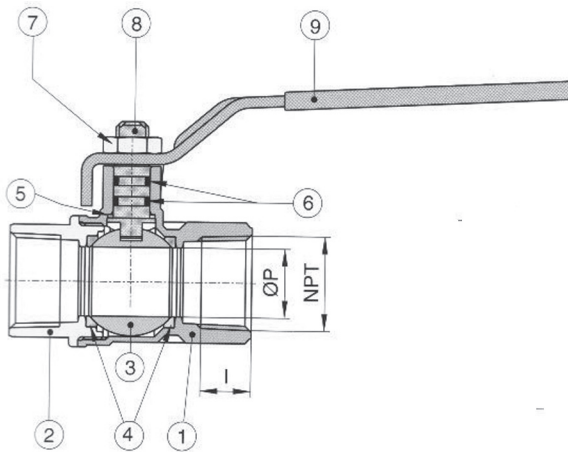
Model: T50BZ

Brass ball valve, female/female.
full port sizes 1/2" to 2"



- Pressure rating 600 WOG - 125 WSP
- Temperature to 366°F
- Blow out proof stem, chrome plated brass ball
- P.T.F.E. seats and double O-RING stem packing
- 100% electronically tested in the open and closed position at 80 PSI

- LEVER HANDLE - SIZE 1/2" TO 2"
- LATCH LOCK HANDLE - SIZE 1/2" TO 2"



NO.	PART NAME	MATERIAL	N PCS
1	BODY	BRASS CW 617N UNI EN 12165	1
2	END CONNECTION	BRASS CW 617N UNI EN 12165	1
3	BALL	BRASS CW 617N UNI EN 12165	1
4	BALL SEAT	P.T.F.E	2
5	THRUST WASHER	P.T.F.E	1
6	O-RING	NBR	1
		VITON®	1
7	NUT	STEEL 6S	1
8	STEM	BRASS CW 614N UNI EN 12164	1
9	HANDLE	Fe DD11 UNI EN 10111	1

NO.	ØP	I	L	ØH	CH	R	h	CV	PSI	Libs
1/2"	0.55	0.53	2.32	1.18	0.98	3.86	1.81	19.00	600	0.39
3/4"	0.75	0.55	2.63	1.41	1.22	4.80	2.24	34.50	600	0.64
1"	0.94	0.66	3.01	1.71	1.49	4.80	2.32	50.18	600	0.97
1 1/4"	1.18	0.68	3.36	2.08	1.88	6.02	2.87	103.70	600	1.61
1 1/2"	1.50	0.68	3.70	5.56	2.12	6.02	3.11	268.40	600	2.16
2"	1.85	0.89	4.21	3.15	2.63	6.38	3.68	309.20	600	3.50

