

## ***Sanitary***

High-Containment  
Split-Butterfly Valves  
for **powders** in the  
Pharmaceutical &  
Biotech Industries



**Stainless Steel 316 and  
Hastelloy C materials**

*Safe, Easy, Fast Transfer of Powders  
Protect employees & environment*



[www.drylink.com](http://www.drylink.com)

# Providing Solutions for the Pharmaceutical & Biotech Markets

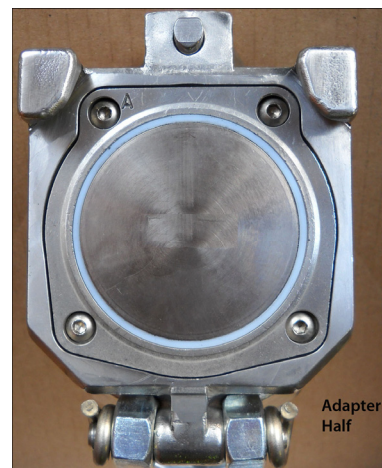
Whether you are a small-scale lab, medium sized batch processor, or large manufacturer, we offer the right High-Containment Valve to safely transfer powders to suit your needs – with full support and validation from start to finish.

Since 1992, Dry Link's patented dry-disconnect couplings have been specified throughout the chemical and pharmaceutical industries for the safe transfer of hazardous liquids. We now introduce sanitary, High-Containment Split-Butterfly Valves that can assure safe and secure transfer of **hazardous powders** in the pharmaceutical, biotechnology, cosmetic and food manufacturing processes.

These valves are available in sizes 1" (DN 25), 1½" (DN 40), 2" (DN 50), 3" (DN 75) and 4" (DN 100). Addition of this product line will now compliment our standard line of dry-disconnects for liquids renowned worldwide for their unique features.

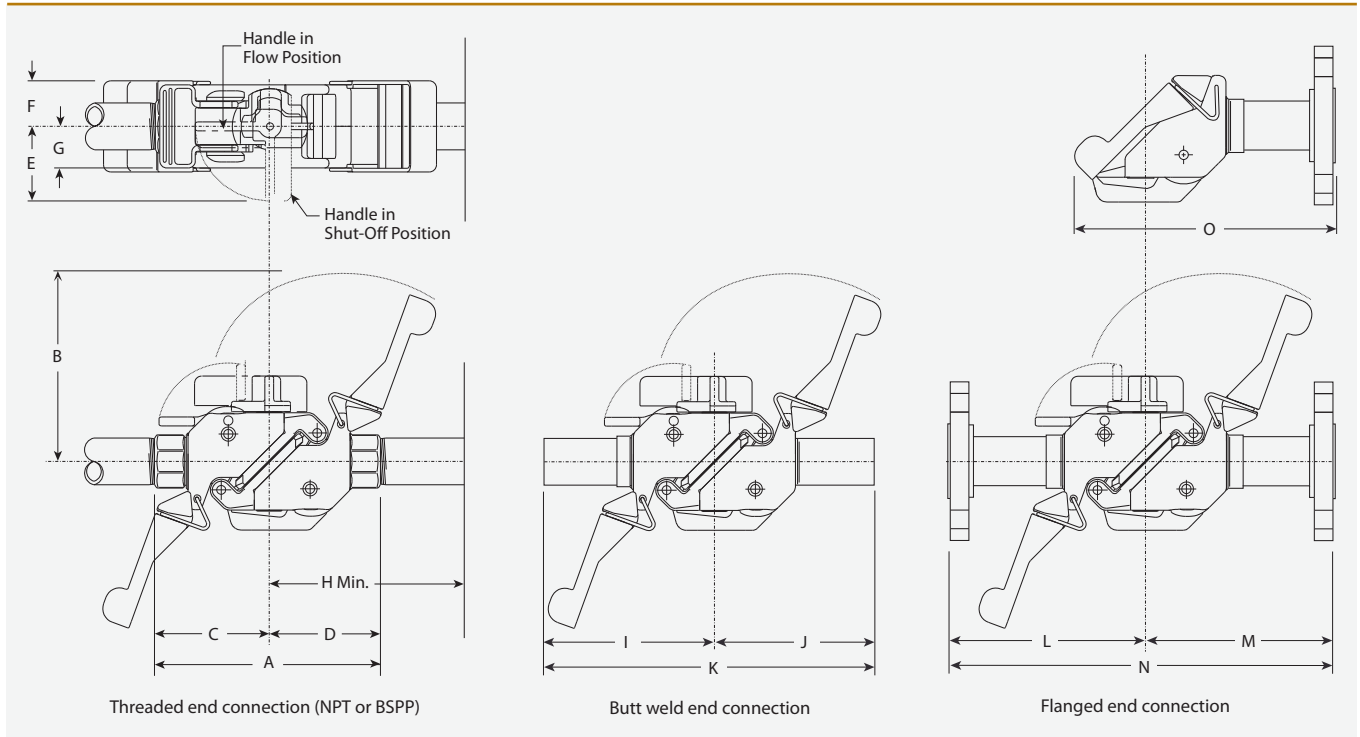
The High-Containment Valve features a split-butterfly valve design consisting of two halves of a body. Two identical, thin-profile disc halves rotate in unison to create an excellent flow path. A single flow-control handle opens both halves simultaneously. Our patented triple sealing design ensures clean, secure and safe product transfer of powders. Built-in safety interlocks prevent accidental separation. The Coupler half and the Adapter half are *bidirectional* meaning that either half of the valve can be used as *Active* or *Passive*.

High-Containment Valves are available in SS316 and Hastelloy C materials with PTFE Seals. We recommend all internal surfaces to be polished to 20 RA micro-inch smooth finish to minimize adhesion of solids to the valve, although we also offer unpolished internals at economy prices. The smooth bore has no voids, dead spaces, crevices, or fillers to trap material. Efficient cleaning can be done using CIP/SIP methods. We offer wide choices of sizes, body materials, end connections and surface finishes. Valves can be supplied with removable dust covers. Please visit [www.dry.link.com](http://www.dry.link.com) for details.



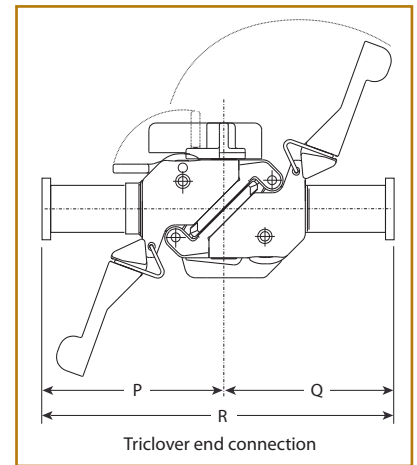
# High-Containment Split-Butterfly Valve 1 and 1 1/2 inch 25 and 40 DN

Coupler half includes a Flow Control Handle. Adapter half does not have a Handle.  
Available in Stainless Steel 316 housing material. For Hastelloy C, please see page 5.



## Weight lb/kg

Nominal size	Threaded end		Butt weld		Flanged		Triclover	
	Coupler	Adapter	Coupler	Adapter	Coupler	Adapter	Coupler	Adapter
1 in.	2.0	1.8	3.1	2.8	5.3	5.0	3.1	2.8
25 DN	0.9	0.8	1.4	1.3	2.4	2.3	1.4	1.3
1 1/2 in.	3.4	3.1	5.0	4.6	7.4	7.0	5.0	4.6
40 DN	1.5	1.4	2.3	2.1	3.4	3.4	2.3	2.1

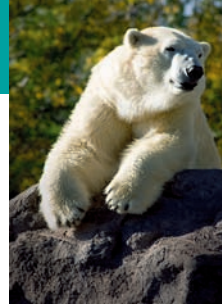


## Dimensions inches/mm

Nominal size	All units								Butt weld			Flanged				Triclover		
	A	B	C	D	E	F	G	H	I	J	K	L	M	N	O	P	Q	R
1 in.*	6.26	5.31	3.16	3.10	2.10	1.17	1.17	3.10	6.25	5.85	12.10	5.55	5.13	10.68	6.80	4.56	4.56	9.12
25 DN	159	135	80	79	53	30	30	79	169	149	307	141	130	271	173	116	116	232
1 1/2 in.	7.40	6.76	3.75	3.65	2.50	1.42	1.42	3.65	8.03	7.63	15.66	7.03	6.63	13.66	8.75	5.12	5.12	10.25
40 DN	188	171	95	93	64	36	36	93	204	194	398	179	168	347	222	130	130	260

\*1-inch couplings with smaller end connections such as 1/2" and 3/4" are available by special order.

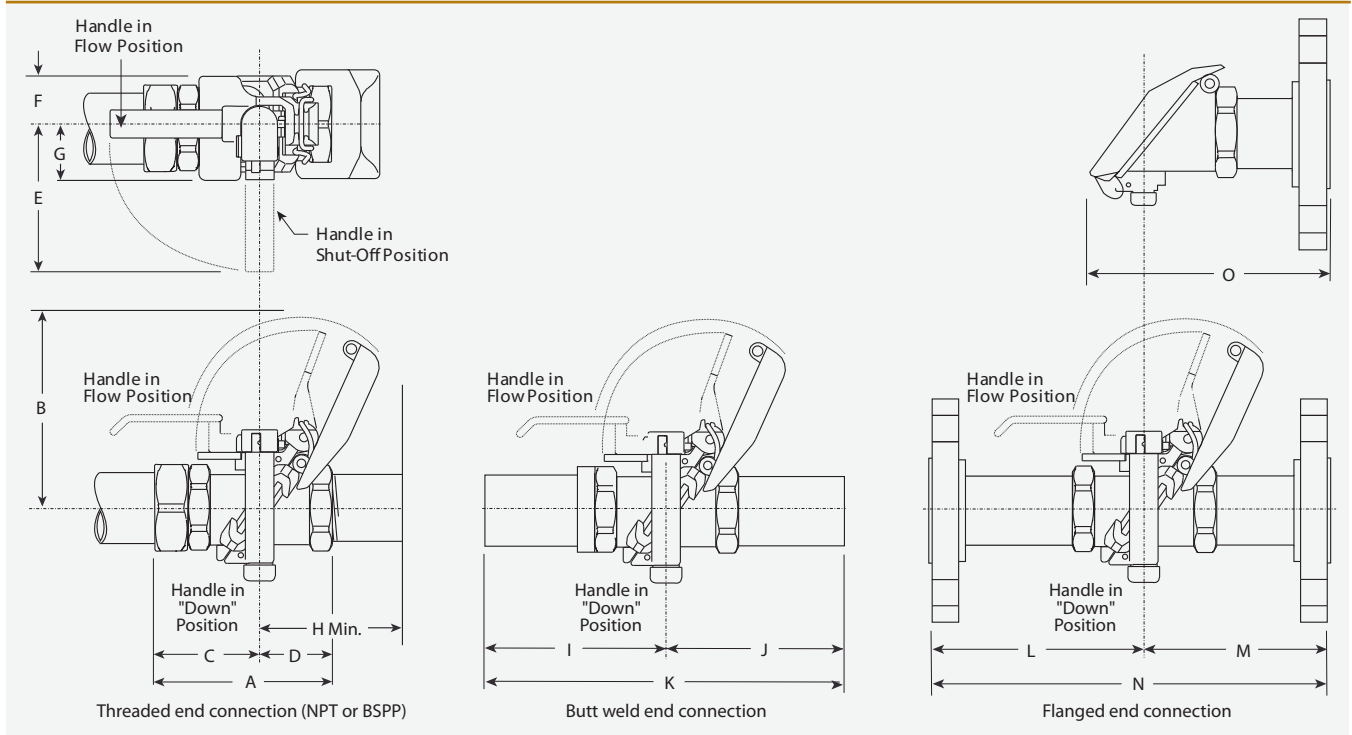




: [YZZa fS] \_ VWF Eb [fZ4gffVkkHSTW 2, 3, and 4 inch 50, 80, and 100 DN

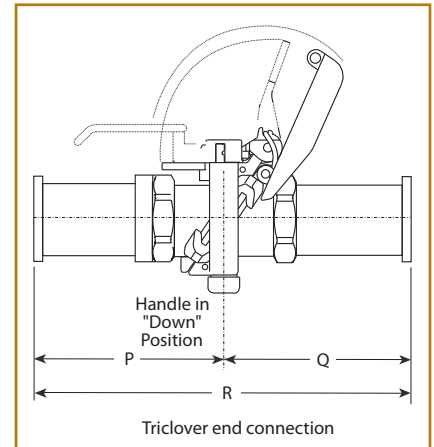
Couplers half includes a Flow Control Handle. Adapter half does not have a Handle.

Available in Stainless Steel 316 material. For Hastelloy C, please see page 5.



Weight lb/kg

Nominal size	Threaded end		Butt weld		Flanged		Triclover	
	Coupler	Adapter	Coupler	Adapter	Coupler	Adapter	Coupler	Adapter
2 in.	5.0	3.0	7.0	5.0	11.5	9.0	7.0	5.0
50 DN	2.3	1.4	3.2	2.3	5.2	4.1	3.2	2.3
3 in.	14.0	9.0	16.5	11.5	27.5	21.3	16.5	11.5
80 DN	6.4	4.1	7.5	5.2	12.2	9.7	7.5	5.2
4 in.	17.0	13.0	18.3	13.3	32.5	26.8	8.3	13.3
100 DN	7.7	5.9	8.3	6.1	12.3	9.7	8.3	6.1

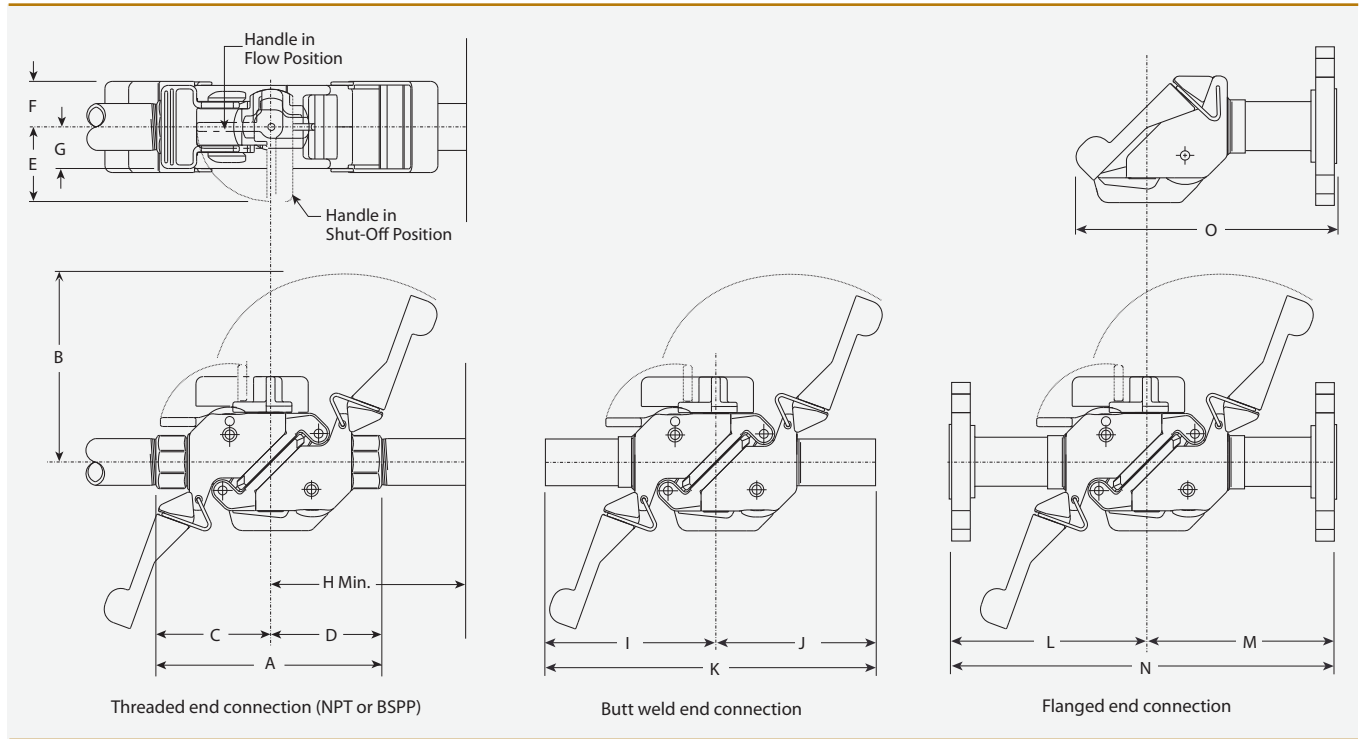


Dimensions inches/mm

Nominal size	All units								Butt weld			Flanged				Triclover		
	A	B	C	D	E	F	G	H	I	J	K	L	M	N	O	P	Q	R
2 in.	6.26	6.50	3.73	2.53	5.25	1.70	2.00	5.00	8.90	8.56	17.46	8.00	6.56	14.59	8.40	4.00	4.00	8.00
50 DN	159	165	95	64	133	43	51	127	278	217	495	255	167	421	203	102	102	204
3 in.	8.54	9.88	5.04	3.50	7.38	2.35	2.65	7.00	13.27	12.56	25.83	11.06	7.56	18.62	10.25	7.29	5.75	13.04
80 DN	217	251	130	89	187	60	67	178	337	319	656	281	192	473	241	185	146	331
4 in.	12.54	9.88	7.04	5.50	7.38	2.35	2.65	7.00	13.27	12.56	25.83	11.06	7.56	18.62	10.25	9.54	8.00	17.54
100 DN	319	251	179	140	187	60	67	178	337	319	656	281	192	473	241	242	203	446

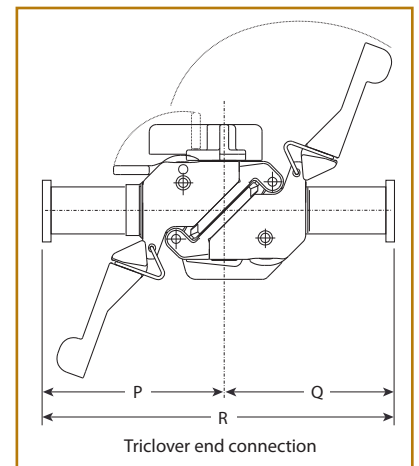
# Hastelloy C High-Containment Butterfly Valve 1, 1 1/2, and 2 inch 25, 40, and 50 DN

Dry Link valves with Hastelloy C contact parts are especially designed for highly corrosive applications. Coupler half includes a Flow Control Handle. Adapter half does not have a Handle.



## Weight lb/kg

Nominal size	Threaded end		Butt weld		Flanged		Triclover	
	Coupler	Adapter	Coupler	Adapter	Coupler	Adapter	Coupler	Adapter
1 in.	3.4	3.1	5.0	4.6	7.4	7.0	5.0	4.6
25 DN	1.5	1.4	2.3	2.1	3.4	3.4	2.3	2.1
1 1/2 in.	3.4	3.1	5.0	4.6	7.4	7.0	5.0	4.6
40 DN	1.5	1.4	2.3	2.1	3.4	3.4	2.3	2.1
2 in.	4.9	3.5	5.7	5.3	9.4	9.0	Contact Dry Link	Contact Dry Link
50 DN	2.2	1.6	2.6	2.4	4.3	4.1	Contact Dry Link	Contact Dry Link



## Dimensions inches/mm

Nominal size	All units								Butt weld			Flanged				Triclover		
	A	B	C	D	E	F	G	H	I	J	K	L	M	N	O	P	Q	R
1 in.	7.40	6.76	3.75	3.65	2.50	1.42	1.42	3.65	8.03	7.63	15.66	7.03	6.63	13.66	8.75	5.12	5.12	10.25
25 DN	188	171	95	93	64	36	36	93	204	194	398	179	168	347	222	130	130	260
1 1/2 in.	7.40	6.76	3.75	3.65	2.50	1.42	1.42	3.65	8.03	7.63	15.66	7.03	6.63	13.66	8.75	5.12	5.12	10.25
40 DN	188	171	95	93	64	36	36	93	204	194	398	179	168	347	222	130	130	260
2 in.	9.37	6.76	5.16	4.21	2.50	1.42	1.42	3.65	9.44	8.19	17.66	8.44	7.19	15.63	9.31	Contact Dry Link	Contact Dry Link	Contact Dry Link
50 DN	238	171	131	107	64	36	36	93	240	208	448	214	183	397	236	Contact Dry Link	Contact Dry Link	Contact Dry Link

### Maximum working pressure

Nominal size	Stainless 316	Hastelloy C
1" (DN 25)	210 psi (14.3 bar)	210 psi (14.3 bar)
1½" (DN 40)	210 psi (14.3 bar)	210 psi (14.3 bar)
2" (DN 50)	150 psi (10.3 bar)	210 psi (14.3 bar)
3" & 4" (DN 80 & DN 100)	120 psi (8.3 bar)	Not applicable

For one-time field test only, the maximum joint working pressure may be increased to 1½ times the figures shown.

### Vacuum

Tested to 28" (711 mm) Hg vacuum in all positions without leakage.

### Operating temperature range

PTFE Seals	+20°F to +230°F (-7°C to +110°C)
------------	-------------------------------------

Contact Dry Link for higher or lower temperature limit requirements.

### Powder contact metal parts

Standard All 316 stainless steel  
ASTM A351, Grade CF8M

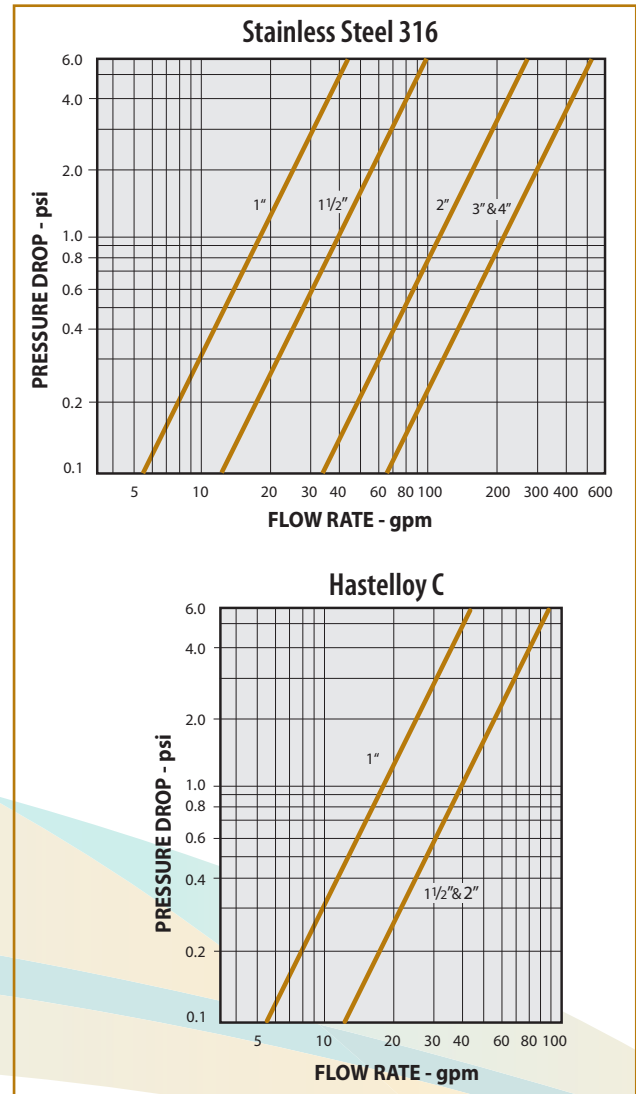
Optional Hastelloy C  
ASTM A494, Grade CW2M

Disc is electroless nickel plated to reduce galling.

### Seals

PTFE Typically used with most chemicals and solvents.

For special applications and optional materials, please contact Dry Link.





## How to Order

Please order using the Part Numbering System shown below. For optimum service, specify the following options: polished inside body, triclover end connection, and a standard handle on coupler.

Part Numbering System for Dry Link High-Containment Valves for Powder Applications							
Prefix for Type of Valve Half*	Size	Body Material	Main Seal Material	Type of End Connection	Surface Finish <sup>+</sup>	Type of Handle	Optional Requirements
C-Coupler A-Adapter	050 – ½” 075 – ¾” 010 – 1” 015 – 1.5” 020 – 2” 030 – 3” 040 – 4”	S- SS316 H-Hast C	T- PTFE	T-Triclover N-FNPT B-BSPP F-Flanged ANSI 150 # D-DIN Flanged W-Butt-Weld A-As specified on PO	P-Polished body inside  O-Polished body outside  A-Polished body inside & outside  U-Unpolished	0- Not applicable  1- Standard, longer handle on Coupler  2- Shorter Handle on Coupler	If FDA seals are required  Optional built-in Swivel**  Please specify any special requirements on Purchase Order
<p>* Either Coupler half or Adapter half can be made <i>Active</i> or <i>Passive</i> unit.</p> <p>**A swivel is supplied as <i>standard</i> on all Couplers with FNPT, BSPP, Flanged and Butt-weld end connections. It can be supplied as <i>optional</i> on units with triclover end connection.</p> <p><sup>+</sup> Polished discs are supplied as standard on all couplers and adapters at no extra charge.</p>							

**Example: Coupler Half/size 2”/SS316 body/PTFE Main Seal/Triclover end/Polished inside/Standard Handle**

C	020	S	T	T	P	1	
---	-----	---	---	---	---	---	--

**Example: Adapter Half/size 2”/SS316 body/PTFE Main Seal/Triclover end/Polished inside**

A	020	S	T	T	P	0	
---	-----	---	---	---	---	---	--

## Certification documentation

All our valves are individually and rigorously tested for leaks before being released for sale. In addition, we can provide certification documentation for our couplings.

- Material test certification (heat lot codes with chemical and physical properties)
- Seal material certification (FDA and USP certifications)
- Certificates of conformance
- Production test certificates (pressure test certificates)
- Certified drawings

## Special requirements

We understand that you may have special requirements not covered by our standard products. Our engineering staff welcomes the challenge of your unique requirements. Please contact us.

## Help keep our planet green

Dry Link is a global company, with products in place on all continents. As responsible citizens of this planet, our customers are choosing environmentally friendly products such as Dry Link valves & couplings to help reduce global warming, improve deteriorating ecology, and save disappearing wildlife. We can't solve the climate crisis alone, but we can take small steps together. Dry Link products help keep the planet green ... Go for the GREEN!



## Chemicals may cost only pennies per pound (until they leak and cost thousands in fines)

You can avoid big fines by using Dry Link's high-containment valves for powders, and dry-disconnect couplings for liquids. These products use a unique patented leak-tight design to trap chemicals before they leak on the ground or floor. You will avoid costly cleanups while protecting both workers and the environment. Plus, our products are compact and lightweight designed for easy handling with maximum flow.



### Dry Link, Inc.

574 Axminister Drive, Fenton, MO 63026, USA  
Phone: 636-349-2999 • Fax: 636-349-7788  
Website: [www.drylink.com](http://www.drylink.com)  
Email: [info@drylink.com](mailto:info@drylink.com)