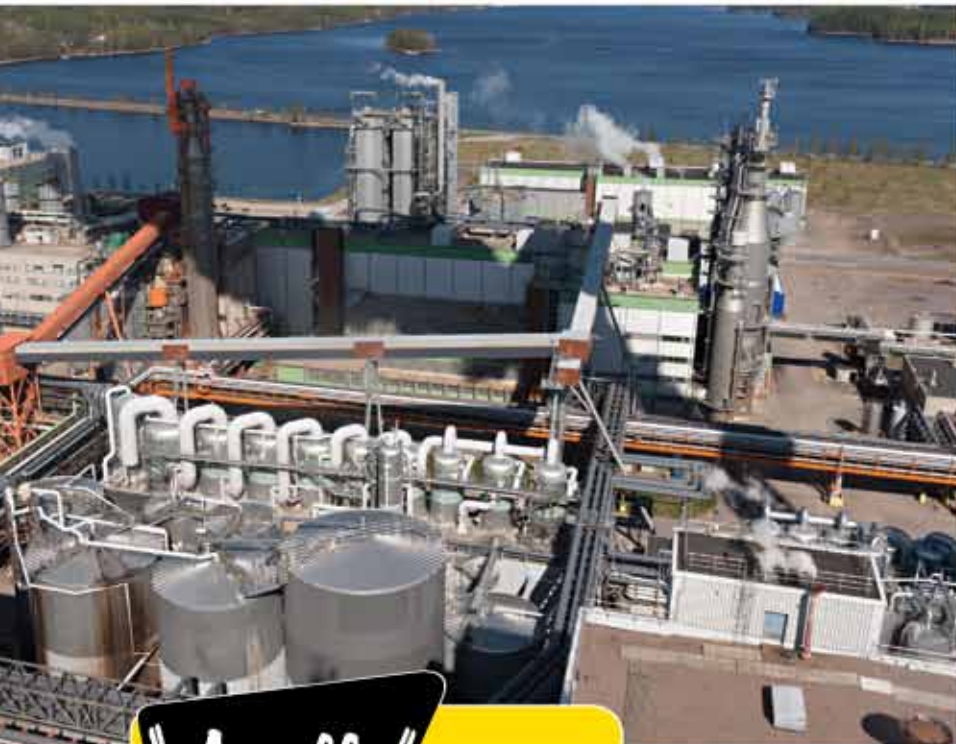


# BUTTERFLY VALVES



**"Apollo"** Valves  
International



# A history of Quality, Service and Innovation

Now in its ninth decade, Conbraco Industries, Inc. is a leading manufacturer of flow control products for U.S. and international markets. The company's headquarters is based in Matthews, North Carolina with manufacturing plants and foundries located in Pageland and Conway, South Carolina.

Conbraco has a history of new product development and innovation that dates back to the company's inception in 1928. Today, the Conbraco line of products is marketed under the "Apollo Valves" brand and includes: ball valves, butterfly valves, backflow prevention devices, water pressure reducing valves, mixing valves, safety relief valves, water gauges, strainers, vacuum breakers, valve actuators and more.

Conbraco's vertically integrated manufacturing ensures a consistency of production, testing, quality and availability. It's your assurance that Conbraco flow control products will deliver long term performance advantages. All Conbraco plants are registered to ISO 9001:2008 quality standards.

The Conbraco line continues to expand - with new products, designs and advanced materials - to better serve the needs of our customers in the chemical processing, pulp and paper, petroleum, residential and commercial plumbing and heating markets, as well as manufacturing and other markets.



**PAGELAND, SC**  
Bronze Foundry and Manufacturing Plant



**PAGELAND, SC**  
Final Assembly and Distribution Center



**CONWAY, SC**  
Steel Foundry and Manufacturing Plant



**MATTHEWS, NC**  
Corporate Headquarters

Apollo® International iron bodied butterfly valves offer an economical, bubble-tight shut-off design that's ideal for use in commercial HVAC and plumbing as well as irrigation and select industrial applications. These valves are rated to 200 psig in sizes 2" through 12" and 150 psig in sizes 14" and larger. Apollo® International butterfly valves are available with a variety of options and are easily automated.

## TABLE OF CONTENTS

<b>General Purpose Butterfly Valves – 141 Series</b>	<b>Options</b> .....	9
Advantages .....	<b>Applications</b> .....	10
Parts List .....	<b>Installation</b> .....	11
Specifications.....	<b>Contractor Grade Butterfly Valves – 149 Series</b> .....	12
Dimensions.....	<b>How to Order Butterfly Valves</b> .....	13
<b>Operating Torque</b> .....	<b>Warranty</b> .....	15
<b>CV Data</b> .....		

# BUTTERFLY VALVES

## Advantages – 141 Series

**WD141:** One-piece wafer-style, sizes 2" to 12"

**LD141:** Lug valves, sizes 2" to 24"

Both models come equipped with an extended neck providing at least 2" clearance between the valve top plate and pipe flange to allow ease of insulation installation.

### (1) Body Design

Ductile Iron ASTM A536

WD141 Model: a one-piece wafer design with flange locating holes in larger sizes (8" to 12")

LD141 Model: valves are full lug with tapped lugs, to ANSI 125/150 drilling. Face-to-face dimensions meet universal interchangeability standards outlined in MSS SP-67 and API 609.

### (2) Blowout Proof Seat with Molded in Stiffener Ring

Valves are equipped with a stretch-resistant, non-collapsible blowout-proof seat. Phenolic Stiffener Ring (2"-12") Aluminum Stiffener Ring (14"-24")

### (3) Seat – No Gaskets Required

Design of the seat eliminates the need to use flange gaskets with the valves.

### (4) Mounting Flange For Actuator

Valve's cast-in top plate is designed to ISO 5211 standard dimensions for mounting of Apollo® actuators and manual operators.

### (5) Through Shaft

Assures positive disc positioning and dependable performance.

### (6) Weather Seal

All models are equipped with a shaft weather seal that prevents external media from entering the shaft bore.

### (7) Square Shaft-to-Disc Connection

Provides a robust shaft-to-disc connection without pins or bolts. Easy maintenance.

### (8) Three Bushings

Supports shaft at three locations to enhance shaft alignment and absorb actuator side thrusts.

### (9) Profiled Disc Design

Precision disc assures bubble-tight shut-off with minimal torque and longer seat life.

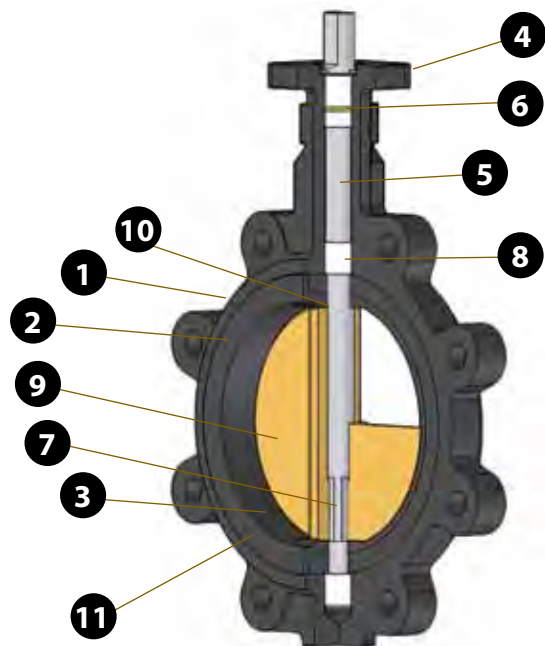
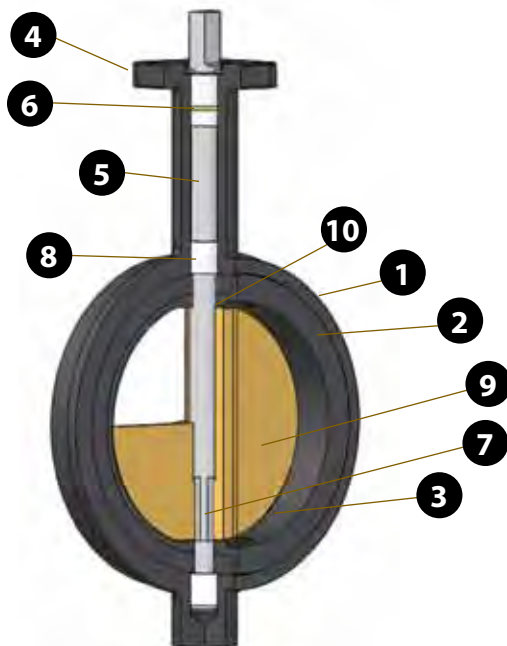
### (10) Shaft Seal

The shaft diameter is greater than the diameter of the seat's shaft hole creating a robust shaft seal. The stiffening ring molded into the seat guards against distortion, a frequent cause of shaft leakage.

### (11) End of Line Service

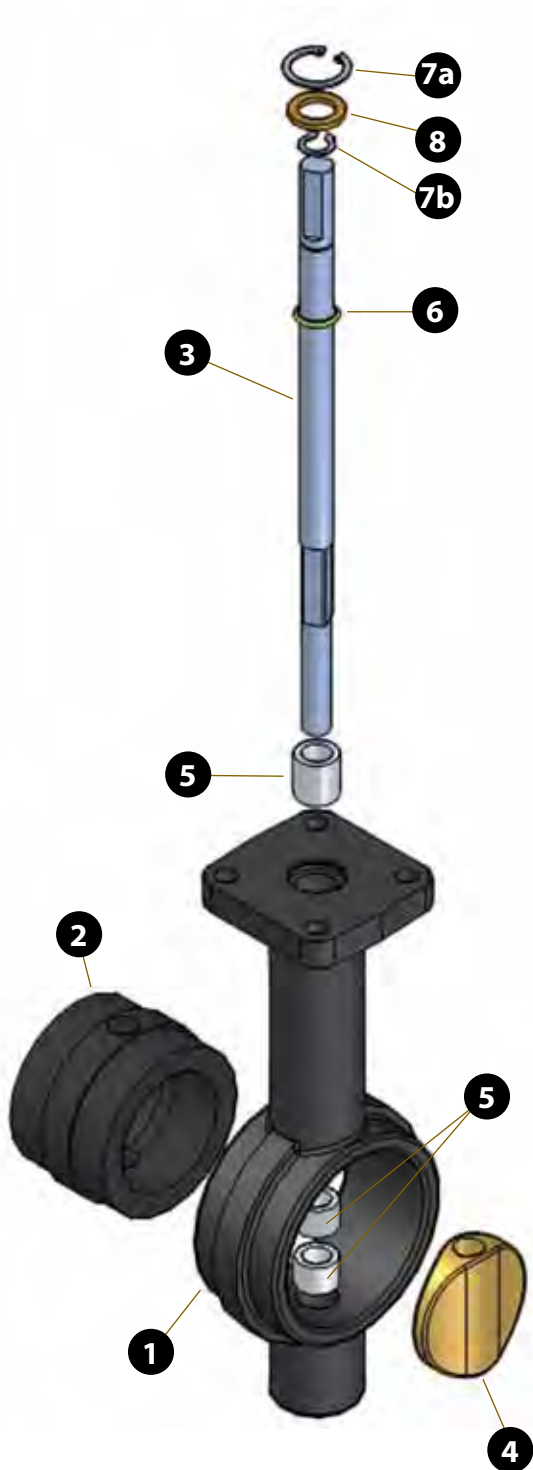
All 2" to 24" LD Model valves are equipped with retainer screws for dead end service; 2" through 12" to 200 psig, 14" through 24" to 150 psig.

*Testing: All valves are 100 percent factory tested before shipping.*



# BUTTERFLY VALVES

## General Purpose Butterfly Valves – 141 Series



**Exploded View**  
**WD141 – Wafer Design Shown**

### PARTS LIST – 141 SERIES

Item	Description	Material	Qty
1	Body	Ductile Iron ASTM A536 (65-45-12)	1
2	Seat	EPDM* --- or --- Buna-N (Nitrile)* --- or --- FKM*	1
3	Shaft	416 Stainless Steel ASTM A564	1
4	Disc	Nickel Plated Ductile Iron ASTM A536 (65-45-12) --- or --- Aluminum-Bronze ASTM B148, C95400 --- or --- 316 Stainless Steel A STM A351, Type CF8M	1
5	Bushing	PTFE	3
6	Weather Seal	EPDM	1
7a	Retainer	Steel with Protective Finish	1
7b	Retainer	Steel with Protective Finish	1
8	Washer	Brass	1
9	Set Screws (Flat Point)	Steel with Protective Finish	2 to 6
10	Set Screws (Cone Point)	Steel with Protective Finish	2 to 6
11	Nameplate		1

\* 2" - 12" has a phenolic stiffening ring molded into the seat.  
 14" - 24" has an aluminum stiffening ring molded into the seat.

### AVAILABLE OPTIONS

- 10 Position Handle
- Gear Operator
- Infinite Position Handle
- Locking Handle
- Gear Operator with Chain Wheel
- Locking Gear Operator
- Locking Gear Operator with Chain Wheel

# BUTTERFLY VALVES

## Specifications – 141 Series

### DESIGN SPECIFICATIONS

- WD141 (wafer body design)  
LD141 (single flange, lug body design)
- Designed to fully comply with MSS SP-25, MSS SP-67, and API 609
- Meets the intent and passed AWWA C-504 Section 5\* proof of design tests
- Extended neck to allow up to 2" of insulation
- Dead-End Service: Lug style valves are suitable for end of line service to their rated pressure without the use of a downstream flange
- Ideal for ON/OFF and throttling service
- Designed for extended service with minimal wear and maintenance. No regular lubrication is necessary
- Compatible with ASME Class 125 and Class 150 weld neck or slip-on flanges
- Larger wafer body design includes four alignment holes 8" to 12" (DN200 to DN300) WD141
- Polyester Body Coating:
  - Resistant to ultra-violet radiation
  - Resists a broad range of chemicals including dilute acids, alkalis, solvents alcohols, greases, oils
  - Resists most impacts without chipping or cracking
- Cartridge Style Seat:
  - Isolates body and stem from the media
  - Provides mating flange seals eliminating the need for separate flange gaskets
  - Provides positive shut-off of line media at rated pressures
- EPDM and Buna-N (Nitrile) Seats are Food Grade as standard
- Profiled Disc design assures bubble-tight shut-off, minimal torque and longer seal life
- Double-D shaft drive 2" to 14" (DN50 - DN350)  
Round and keyed shaft drive 16" to 24" (DN400 - DN600)
- Blow-out Proof Shaft
- Upper and lower shaft bearing ensure longer seat life and lower operating torque
- Actuator mounting flange (top plate) conforms to ISO 5211 which allows choice of lever operators, gears and direct mounting of many Apollo pneumatic and electric actuators

\*Specification applies to 3" - 24" valves

### SPECIFICATIONS

#### SIZE RANGE

WD141 (wafer body design): 2"-12" (DN50 - DN300)  
LD141 (single flange body design): 2"-24" (DN50 - DN600)

#### PRESSURE-TEMPERATURE RATING AT 100°F (37.8°C)

All Body, Disc, Seat Combinations

2"-12" (DN50 - DN300) 200 psi (13.8 bar)

14"-24" (DN350 - DN600) 150 psi (10.3 bar)

All Sizes – Vacuum Rating 29 inches of Hg

#### TEMPERATURE RATING - SEATS

EPDM -30° F (-34° C) to 275° F (135° C)

Buna-N (Nitrile) 10° F (-12° C) to 180° F (82° C)

Viton® B -15° F (-26° C) to 400° F (204° C)

#### FLANGE DRILLING

ANSI 125/150 Drilling Standard

- WD141 -- wafer body design: 8" to 12" (DN200 to DN300) include four alignment holes

#### TESTING

Every LD141 and WD141 is fully tested prior to shipment. Testing includes a body shell test, a seat test, and a cycling test to insure proper functioning of moving parts. Additional testing is also available. Please let us know your requirements.

#### SHUTOFF PERFORMANCE

Zero Leakage. Bubble Tight. All Sizes

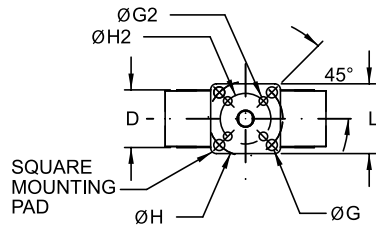
ANSI/FCI 70-2 establishes a series of six leakage classes for control valves and defines the test procedure. Class VI allows the least leakage. LD141's and WD141's are bubble tight, which exceeds Class VI requirements.

# BUTTERFLY VALVES

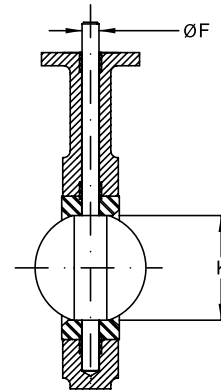
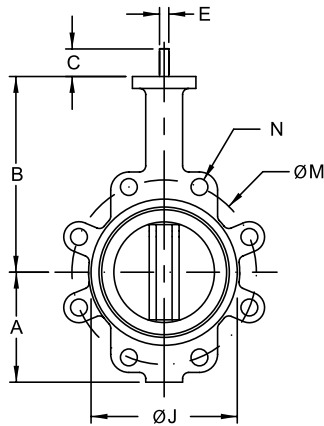
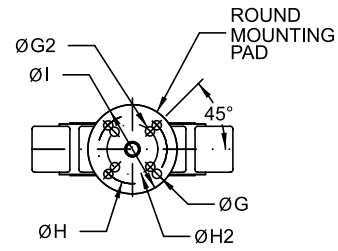
## General Purpose Butterfly Valves – 141 Series

### LD MODEL

2" - 12"

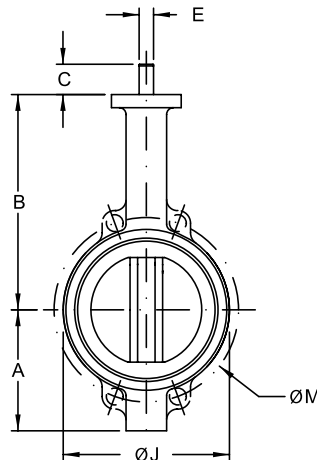
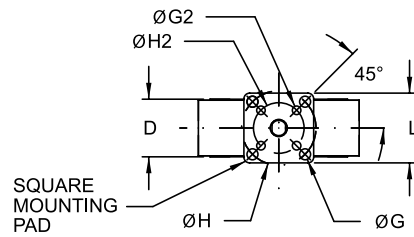


14" - 24"



### WD MODEL

2" - 12"



# BUTTERFLY VALVES

## General Purpose Butterfly Valves – 141 Series

Size Inches	Size DN	Dimensions in Inches – 141 Series								
		A	B	C	D	E	ØF	ØG	ØG2	Key
2	50	3.25	6.38	1.25	1.75	0.394	0.496	0.375	--	--
2-1/2	65	3.75	6.88	1.25	1.88	0.394	0.496	0.375	--	--
3	80	4.00	7.13	1.25	1.88	0.394	0.496	0.375	--	--
4	100	4.88	7.88	1.25	2.13	0.472	0.621	0.375	--	--
5	125	5.38	8.38	1.25	2.25	0.551	0.745	0.375	--	--
6	150	5.88	8.88	1.25	2.25	0.551	0.745	0.375	--	--
8	200	7.13	10.25	1.75	2.50	0.669	0.870	0.563	0.438	--
10	250	8.25	11.50	1.88	2.75	0.866	1.120	0.563	0.438	--
12	300	9.75	13.25	1.88	3.13	0.945	1.244	0.563	--	--
14	350	11.00	14.50	1.88	3.13	0.945	1.244	0.563	--	--
16	400	12.00	15.75	2.00	3.50		1.313	0.563	--	.313 sq
18	450	14.38	16.63	2.00	4.25		1.500	0.813	--	.375 sq
20	500	14.63	18.88	2.50	5.25		1.625	0.813	--	.375 sq
24	600	18.00	22.13	2.75	6.13		2.000	0.813	--	.500 sq

Size Inches	Dimensions in Inches – 141 Series								
	ØH	ØH2	ØI	ØJ	K	L	M	N (# Holes)	N (Tap UNC)
2	2.756	--	2.70	4.00	2.09	1.113	4.75	4	.625-11
2-1/2	2.756	--	2.70	4.75	2.54	1.706	5.50	4	.625-11
3	2.756	--	2.70	5.13	3.09	2.450	6.00	4	.625-11
4	2.756	--	2.70	6.75	4.09	3.488	7.50	8	.625-11
5	2.756	--	2.70	7.75	4.85	4.296	8.50	8	.750-10
6	2.756	--	2.70	8.63	6.13	5.697	9.50	8	.750-10
8	4.921	4.015	4.61	10.56	7.89	7.468	11.75	8	.750-10
10	4.921	4.015	4.61	13.06	9.89	9.484	14.25	12	.875-9
12	4.921	--	4.61	16.00	11.89	11.456	17.00	12	.875-9
14	4.921	--	Ø5.91	17.13	13.38	13.000	18.75	12	1.00-8
16	4.921	--	Ø5.91	20.00	15.38	14.970	21.25	16	1.00-8
18	6.496	--	Ø8.27	21.38	17.38	16.847	22.75	16	1.125-7
20	6.496	--	Ø8.27	23.31	19.38	18.650	25.00	20	1.125-7
24	6.496	--	Ø8.27	27.88	23.38	22.558	29.50	20	1.125-7

### Approximate Weight for Bare Shaft Valve

Valve Size		WD141 Model Lbs (kg)	LD141 Model Lbs (kg)
Inches	DN		
2	50	6 (2.7)	8 (3.6)
2.5	65	6 (2.7)	10 (4.5)
3	80	7(3.2)	11 (5.0)
4	100	11 (5.0)	17 (7.7)
5	125	13 (5.9)	20 (9.1)
6	150	16 (7.3)	23 (10.4)
8	200	29 (13.2)	39 (17.7)
10	250	44 (20.0)	62 (28.1)
12	300	70 (31.8)	97 (44.0)
14	350		148 (67.1)
16	400		206 (93.4)
18	450		277 (125.6)
20	500		410 (186.0)
24	600		592 (268.5)



For additional information, submittal sheets and manuals, visit [www.apollovalves.com](http://www.apollovalves.com)

Customer Service (704) 841-6000

# BUTTERFLY VALVES

## Operating Torque – 141 Series and 149 Series

All torque valves shown in the chart are for wet (water and other non-lubricating media) on-off service. For dry services (non-lubricating, dry gas media) multiply the values by 1.15. For lubricous services (clean, non-abrasive lubricating media) multiply values by 0.85.

*Under certain conditions, hydrodynamic torque can meet or exceed seating and unseating torques. When designing valve systems, hydrodynamic torque must be considered to help ensure correct selection of actuation.*

## Torque Rating (in. lbs.)

Valve Size <sup>1</sup>		Full Rated Pressures (psig)			
Inches	DN	ΔP50	ΔP100	ΔP150	ΔP200
2	50	100	106	111	117
2.5	65	150	163	176	189
3	80	207	220	232	244
4	100	290	323	357	390
5	125	423	481	540	598
6	150	599	691	783	875
8	200	1060	1183	1307	1430
10	250	1671	1872	2074	2275
12	300	2568	2795	3023	3250
14	350	2640	3070	3500	N/A
16	400	4260	4880	5500	N/A
18	450	6287	7243	8200	N/A
20	500	8360	9180	10000	N/A
24	600	15427	16813	18200	N/A

<sup>1</sup> LD141 (2"-24"); WD141 (2"-12"); LC149 (2"-12")

## Cv Data – 141 Series and 149 Series

Cv values (US gallons per minute) represent the flow of 60°F water through a 100% open valve at a pressure drop of 1 psi.

The metric equivalent, Kv, is the flow of water at +16°C through the valve in cubic meters per hour at a pressure drop of 1 kg/cm<sup>2</sup>. To convert Cv to Kv, multiply the Cv by 0.8569.

### Rated Flow Coefficient (Cv)

Valve Size <sup>2</sup>		Angle of Disc Opening (degrees)								
Inches	DN	10°	20°	30°	40°	50°	60°	70°	80°	90°
2	50	0.06	3	7	15	27	44	70	105	115
2.5	65	0.10	6	12	25	45	75	119	178	196
3	80	0.20	9	18	39	70	116	183	275	302
4	100	0.30	17	36	78	139	230	364	546	600
5	125	0.50	29	61	133	237	392	620	930	1022
6	150	0.80	45	95	205	366	605	958	1437	1579
8	200	2	89	188	408	727	1202	1903	2854	3136
10	250	3	151	320	694	1237	2047	3240	4859	5340
12	300	4	234	495	1072	1911	3162	5005	7507	8250
14	350	6	338	715	1549	2761	4568	7230	10844	11917
16	400	8	464	983	2130	3797	6282	9942	14913	16388
18	450	11	615	1302	2822	5028	8320	13168	19752	21705
20	500	14	791	1674	3628	6465	10698	16931	25396	27908
24	600	22	1222	2587	5605	9989	16528	26157	39236	43116

<sup>2</sup> LD141 (2"-24"); WD141 (2"-12"); LC149 (2"-12")

*This chart should be used as a general guide.*

*For additional Cv information, consult the **Engineering and Application Data Section**. Cv = the volume of water in U.S. gallons per minute that will pass through a given valve opening with a pressure drop of 1 psig at room temperature.*



# BUTTERFLY VALVES

## Options

The following options are available factory installed on any of the LD or WD141 series Apollo Butterfly Valves.

The LC149 series are available either with the standard 10-position handle or with the optional gear operator on sizes 8" and larger. The other options may be purchased in kit form and installed by the user or distributor.

### BARE STEM (MODEL CODE SUFFIX 0)

Select this suffix to specify a butterfly valve without a handle, gear operator or actuator.

### TEN (10) POSITION HANDLE (SUFFIX 1)

The 10 position handle is the most common manual operator for valves 8" and smaller. (It can be specified on valves through 12" size.) The 10 position handle allows the valve to be set in any one of ten positions between fully open and fully closed (approximately 10 degree increments).



### GEAR OPERATOR (SUFFIX 2)

Although the option is available for any size of valve, it is commonly used on valves larger than 6", and is the only manual option offered for valves 14" and larger. All gear operators feature a self-locking design preventing back driving of the gear and drifting in the disc's position. All gear operators are weather resistant and permanently lubricated. They are equipped with position indicators and adjustable travel stops.

### INFINITE POSITION HANDLE (SUFFIX 3)

Not nearly as popular as the 10 position handle, this option allows the valve to be set at any degree of open and is available for valves 2" through 12".

### LOCKING HANDLE WITH 10 POSITION PLATE (SUFFIX 4)

The option adds a locking device to "suffix 1".

### GEAR OPERATOR W/ CHAINWHEEL (SUFFIX 5)

A manual gear with chainwheel allows an overhead valve to be opened or closed from a location lower than the valve.

### LOCKING GEAR OPERATOR (SUFFIX 7)

A manual gear with lock-out option allows the manual gear to be locked with a padlock.

### LOCKING GEAR OPERATOR W/ CHAINWHEEL (SUFFIX 8)

Combination of both chainwheel operator (suffix 5) and the locking device (suffix 7) are also available to work in conjunction with the gear operators described under "suffix 2".

### SELF LOCKING GEAR OPERATORS

Self locking manual gear operators are available for all Apollo® WD141 and LD141 Series butterfly valves for heavy duty ON/OFF and throttling service. Gear operators are completely weatherproof and self-lubricating; they're equipped with position indicators and adjustable travel stops. Chainwheel operators are available. All units feature 12" handwheels with gearing for each size to keep rim pull at 50# or less.

### HANDLE AND NOTCH PLATE KITS

Handle and notch plate kits are supplied for manual operation, ON/OFF and throttling service. Kit provides positive disc position indication for 2" to 12" WD141 and LD141 Series butterfly valves. Locking handle and infinite position handle are also available.

### APOLLO® ACTUATORS

Apollo® Actuators are available as double acting or as spring return and come with a wide variety of corrosion resistant coatings for use in most any application. Standard features include external travel stop adjustments, high temperature, low friction bearings and seals. Mounting kits are available for ease of installation.



### PNEUMATIC ACTUATORS

Butterfly valves require pneumatic actuators with dual (open & close) limit stops.






# BUTTERFLY VALVES

## Applications

The Apollo® LD141/WD141 Series Ductile Iron Butterfly Valves offer reliable performance in a wide range of applications; on/off, throttling, control isolation, flow balancing and diversion. Ideal for use in Industrial and HVAC/Mechanical applications.

Service compatibility is dependant on several factors; the corrosion resistance of the disc and shaft and the chemical resistance of the seat (liner) and required temperature range. Erosion resistance also affects material selection when dealing with abrasive slurries.

EPDM Cartridge Style Seat Ethylene propylene rubber	Buna-N Cartridge Style Seat Nitrile rubber Also known as NBR	Viton® B Cartridge Style Seat Fluorocarbon rubber
Temperature rated from -30°F to 275°F	Temperature rated from 10°F to 180°F	Temperature rated from -15°F to 400°F
<p><b>Typical applications:</b></p> <ul style="list-style-type: none"> <li>➤ Food Grade EPDM is Standard</li> <li>➤ Typically offered for general service and elevated temperatures</li> <li>• Hot water</li> <li>• Chilled water</li> <li>• Glycols</li> <li>• Detergents</li> <li>• Phosphate esters</li> <li>• Ketones</li> <li>• Alcohols</li> <li>• Steam</li> <li>• Dilute acids</li> <li>• Phosphate based hydraulic oils and fluids</li> <li>• Silicone greases and oils</li> <li>• Alkalies</li> </ul>	<p><b>Typical applications:</b></p> <ul style="list-style-type: none"> <li>➤ Food Grade Buna-N is Standard</li> <li>➤ Good for most general services</li> <li>• Water – ambient temperature</li> <li>• Vacuum</li> <li>• Compressed air</li> <li>• Salt solutions</li> <li>• Alkaline solutions</li> <li>• Dilute acids</li> <li>• Petroleum oils &amp; fluids</li> <li>• Silicone oils &amp; greases</li> <li>• Ethylene glycol</li> </ul>	<p><b>Typical applications:</b></p> <ul style="list-style-type: none"> <li>➤ A fluorocarbon rubber with a wide spectrum of chemical resistance (exceptional resistance to oils and chemicals at higher temperatures).</li> <li>➤ A fluorocarbon rubber that typically has better chemical resistance than Buna-N.</li> <li>• Hydrocarbons</li> <li>• Mineral acids</li> <li>• Alcohols</li> </ul>
<div style="text-align: center;"></div> <ul style="list-style-type: none"> <li>⊙ EPDM is not recommended for any hydrocarbon-based oils, petroleum oils, hydrocarbon-based lubricants, or di-ester based lubricants, or air systems with hydrocarbons.</li> </ul>	<div style="text-align: center;"></div> <ul style="list-style-type: none"> <li>⊙ Buna-N can swell in hot water applications, and increase operating torque.</li> <li>⊙ Buna-N is NOT recommended for strong oxidizing agents, nitrated hydrocarbons, Aromatic hydrocarbons (benzene, toluene, xylene), acetates, phenols, aldehydes, gasolines with additives, Automotive brake fluid, Halogen derivatives (carbon tetrachloride, trichloroethylene), Ketones (MEK, acetone), Phosphate ester hydraulic fluids (Skydrol®, Pydraul®), Strong acids, ozone</li> </ul>	<div style="text-align: center;"></div> <ul style="list-style-type: none"> <li>⊙ Viton® can swell in higher temperature water applications.</li> <li>⊙ At low temperatures, Viton®'s flexibility decreases (hardens), which often increases operating torque.</li> <li>⊙ Viton® is not recommended for ketones, Skydrol fluids, amines, anhydrous ammonia, low molecular weight esters and ethers, hot hydrofluoric chlorosulfonic acids.</li> </ul>

### VELOCITY LIMITS

- For ON/OFF Services
- Non-abrasive liquids - 30 feet/sec (9m/sec)
- Gases - 175 feet/sec (54m/sec)

# BUTTERFLY VALVES

## Installation

Apollo® butterfly valves are designed for installation between ANSI Class 125/150 lb. weld-neck or slip-on flanges. While we suggest use of weld neck flanges, Apollo® models are configured to also accept slip-on flanges that eliminate failures associated with conventional butterfly valves. Be sure to properly align flange and valve when using raised face flanges. Type C stub end flanges are not recommended.

Apollo butterfly valves can be used with schedule 40 and schedule 80 steel pipe. When the valve is properly centered between flanges, the disc of an open butterfly valve will not contact the inside diameter of schedule 40 or schedule 80 steel pipe.

*Caution: Adjacent piping and components with reduced inside diameters (Lined pipe, Schedule 80 plastic pipe, As-cast rough fittings, etc) could cause disc-pipe contact which could damage the valve's disc and shaft.*

### INSTALLING WD/LD141 SERIES VALVES

Begin by positioning the disc at partially open; maintain the disc within the body face-to-face. After positioning the valve body between flanges, install flange bolts.

**Do not use flange gaskets.** Before tightening flange bolts, adjust disc to the full open position. This helps assure proper alignment and clearance between the outside diameter of the disc and the inside diameter of the pipe. Tighten bolts to spec with disc in full open position. After tightening, rotate disc carefully to closed position to assure proper outside diameter clearance.

### MAINTENANCE

Apollo® butterfly valves are designed for extended service with minimal wear and servicing. No regular lubrication is needed. In case of replacement, put disc in a near closed position and remove from line, spread flanges and support the valve while removing flange bolts.

*Note: Always depressurize a piping system when removing a manual or power actuator or performing valve maintenance.*



Closed



Partially Open



Open

# BUTTERFLY VALVES

## Contractor Grade Butterfly Valves – 149 Series



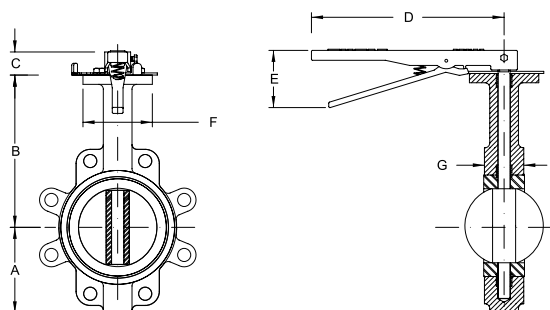
The Apollo® LC149 Series Cast Iron Butterfly Valves are ideal for use in Industrial and HVAC/Mechanical applications. The LC149 Series is a lug style valve designed to be economical yet full featured.

### STANDARD MATERIALS

Body	Cast Iron, ASTM A126 Class B
Disc	Aluminum Bronze, ASTM B148-C95400
Shaft	Stainless Steel, ASTM A276, Type 416
Seat	Black EPDM (FDA food grade) with phenolic backing
Bushings	PTFE
Stem Seal	EPDM

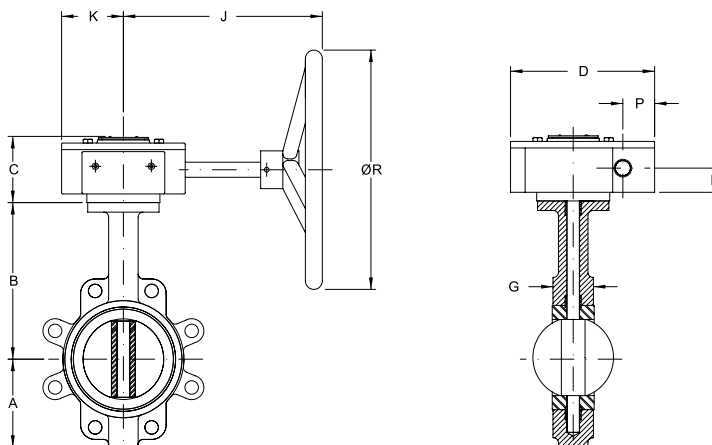
### PERFORMANCE RATING

- Max Operating Pressure: 200 psi (13.8 bar)
- Temperature Range: -30°F (-34°C) to 275°F (135°C)



Size (in)	Dimensions in Inches – 149 Series with Handle						
	A	B	C	D	E	F	G
2	3.25	6.38	1.25	10.5	3.1	2.70	1.75
2-1/2	3.75	6.88	1.25	10.5	3.1	2.70	1.88
3	4.00	7.13	1.25	10.5	3.1	2.70	1.88
4	4.88	7.88	1.25	10.5	3.1	2.70	2.13
5	5.38	8.38	1.25	10.5	3.1	2.70	2.25
6	5.88	8.88	1.25	10.5	3.1	2.70	2.25
8	7.13	10.25	1.75	14.3	3.5	4.61	2.50
10	8.25	11.50	1.88	14.3	3.5	4.61	2.75
12	9.75	13.25	1.88	14.3	3.5	4.61	3.13

Size (in)	Dimensions in Inches – 149 Series with Gear Operator									
	A	B	C	D	G	H	J	K	P	ØR
8	7.13	10.25	3.38	8.00	2.50	1.62	9.48	3.25	1.50	11.88
10	8.25	11.50	3.38	8.00	2.75	1.62	9.48	3.25	1.50	11.88
12	9.75	13.25	3.38	8.00	3.13	1.62	9.48	3.25	1.50	11.88



# BUTTERFLY VALVES

## How to Order WD141 and LD141 Butterfly Valves

### MODEL NUMBER:

**WD** 141 **06** **B** **E** 1 **1**

SERIES	SIZE (IN.)	DISC MATERIAL	SEAT MATERIAL	OPERATOR
<b>WD</b> Ductile Iron Wafer Body	<b>02</b> 2"	<b>B</b> Aluminum Bronze	<b>E</b> Black EPDM	0 None - Bare Shaft
	<b>25</b> 2.5"	<b>D</b> Ductile Iron A536 Nickel Plated	-30°F to 275°F -34°C to 135°C	1 10 Position Handle
<b>LD</b> Ductile Iron Lug Body	<b>03</b> 3"	<b>S</b> Stainless Steel, CF8M	<b>N</b> Black BUNA-N 10°F to 180°F -12°C to 82°C	2 Gear Operator
	<b>04</b> 4"			3 Infinite Position Handle
	<b>05</b> 5"			4 Locking Handle
	<b>06</b> 6"			5 Gear Operator w/Chainwheel
	<b>08</b> 8"			7 Locking Gear Operator
	<b>10</b> 10"			8 Locking Gear Operator w/Chainwheel
	<b>12</b> 12"			
	<b>14</b> 14"			
	<b>16</b> 16"			
	<b>18</b> 18"			
<b>20</b> 20"				
<b>24</b> 24"				
			<b>V</b> Black Viton® B -15°F to 400°F -26°C to 204°C	

### EXAMPLE:

**WD141-06-BE-11:** 6" WD141 Series, Ductile Iron Wafer Body, Aluminum Bronze Disc, Black EPDM Seat, 416 SS Shaft with 10 Position Handle

## How to Order LC149 Butterfly Valves - Contractor Grade

### MODEL NUMBER:

**LC149** **06** **1**

SERIES NUMBER	SIZE (IN)	OPERATOR
LC149	<b>02</b> - 2	<b>1</b> - 10 POSITION HANDLE (2" - 12")
Cast Iron Lug Body	<b>25</b> - 2.5	<b>2</b> - GEAR OPERATOR (8" - 12" ONLY)
Aluminum Bronze Disc	<b>03</b> - 3	
416 SS Shaft	<b>04</b> - 4	
Black EPDM Seat	<b>05</b> - 5	
	<b>06</b> - 6	
	<b>08</b> - 8	
	<b>10</b> - 10	
	<b>12</b> - 12	

### EXAMPLE:

**LC149-06-1:** 6" LC149 Series, Cast Iron Body, Aluminum Bronze Disc, Black EPDM Seat, 416 SS Shaft with 10 Position Handle



# BUTTERFLY VALVES

## Warranty and Limitations of Liability

### OTHER APOLLO LITERATURE FOR YOUR SPECIFICATION LIBRARY



Commercial Products Catalog



All Products Brochure

Conbraco Industries, Inc. warrants, to its initial purchaser only, that its products which are delivered to the initial purchaser will be of the kind described in the order or pricelist and will be free of defects in workmanship or material for a period of TWO years from the date of delivery to you, our initial purchaser.

Should any failure to conform to this warranty appear within two years after the date of the initial delivery to our initial purchaser, Conbraco will, upon written notification thereof and substantiation that the goods have been stored, installed, maintained and operated in accordance with Conbraco's recommendations and standard industry practice, correct such defects by suitable repair or replacement at Conbraco's own expense.

THIS WARRANTY IS EXCLUSIVE AND IS IN LIEU OF ANY IMPLIED WARRANTY OF MERCHANTABILITY, FITNESS FOR A PARTICULAR PURPOSE OR OTHER WARRANTY OF QUALITY WHETHER EXPRESSED OR IMPLIED, EXCEPT THE WARRANTY OF TITLE AND AGAINST PATENT INFRINGEMENT. Correction of non-conformities, in the manner and for the period of time provided above, shall constitute fulfillment of all liabilities of Conbraco to our initial purchaser, with respect to the goods, whether based on contract, negligence, strict tort or otherwise. It is the intention of Conbraco Industries, Inc. that no warranty of any kind, whether express or implied, shall pass through our initial purchaser to any other person or corporation.

LIMITATION OF LIABILITY: Conbraco Industries, Inc. SHALL NOT UNDER ANY CIRCUMSTANCES BE LIABLE FOR SPECIAL OR CONSEQUENTIAL DAMAGES SUCH AS, BUT NOT LIMITED TO, DAMAGES OR LOSS OF OTHER PROPERTY OR EQUIPMENT, LOSS OF PROFITS OR REVENUE, COST OF CAPITAL, COST OF PURCHASED OR INITIAL PURCHASER, AND ALL OTHERS, SET FORTH HEREIN ARE EXCLUSIVE, AND THE LIABILITY OF CONBRACO WITH RESPECT TO SAME SHALL NOT, AS EXPRESSLY PROVIDED HEREIN, EXCEED THE PRICE OF THE GOODS UPON WHICH SUCH LIABILITY IS BASED.

## INTERNATIONAL SALES REPS & REGIONAL MANAGERS

	AREAS COVERED	EMAIL	PHONE	FAX	
INTERNATIONAL	<b>Conbraco International Sales:</b>				
	Jose Arias	Mexico	jose.arias@conbraco.com	956-631-4542	956-631-4681
	Luis Guzman	Caribbean	luis.guzman@conbraco.com	787-739-5620	
	JR Jefferson	Central & South America	jr.jefferson@conbraco.com	832-220-3783	
	Mike Link	United Kingdom	michael.link@pegler.yorkshire.co.uk	44-0-1302-560-560	44-0-1302-367-661
	Luke Liu	China	luke.liu@conbraco.com	411-869-02498	411-869-02498
	Jonathan Yap	Asia Pacific/India	jonathan.yap@conbraco.com	65-9626-9241	65-6753-0131
	Pegler Yorkshire Mid East	Europe/Africa/Australia/Israel Middle East (except Israel)	Contact Customer Service pydubai@mailme.ae	704-841-6000 971-4-454-2353	704-841-6021 971-4-454-2352
REGIONAL MANAGERS	<b>APOLLO VALVES REGIONAL SALES DIRECTORS</b>			P.O. BOX 247, Matthews, NC 28106	
	Brian Blalock	East Coast	brian.blalock@conbraco.com	704-614-3744	704-841-6021
	Skip Wilson	West	skip.wilson@conbraco.com	760-330-3293	775-854-5722
	<b>APOLLO VALVES REGIONAL MANAGERS</b>				
	Kevin Ashworth	Mid Atlantic	kevin.ashworth@conbraco.com	757-272-6200	
	Steve Brown	Northwest	steve.brown@conbraco.com	425-985-5095	253-862-3548
	Andy Fretz	Canada - Commercial	andy.fretz@conbraco.com	647-281-3161	905-761-6666
	Ben Lauletta	Northeast	ben.lauletta@conbraco.com	518-795-4629	
	Sanford Pauly	North Central	sanford.pauly@conbraco.com	513-716-7772	513-321-7717
	Hector Rivera	Florida	hector.rivera@conbraco.com	786-210-7010	
	James Saldivar	South Central - Industrial	james.saldivar@conbraco.com	832-776-5547	
	Nick Shelley	South Central - Commercial	nick.shelley@conbraco.com	214-790-4157	
	Jim Todman	Canada - Industrial	jim.todman@conbraco.com	905-407-8385	905-761-6666
	<b>LASCO FITTINGS IRRIGATION REGIONAL MANAGERS</b>			P.O. BOX 116, Brownsville, TN 38012	
	David Beyer	Northeast	dbeyer@lascofittings.com	561-718-9379	
Ron Modugno	West	rmodugno@lascofittings.com	661-910-5058	661-775-0713	
Jimmy White	Central	jwhite@lascofittings.com	731-234-2372	731-779-3608	
Rick Williamson	Southeast	rwilliamson@lascofittings.com	386-451-2307		



For additional information, submittal sheets and manuals, visit [www.apollovalves.com](http://www.apollovalves.com)

Customer Service (704) 841-6000



**SALES & CUSTOMER SERVICE:** Phone: (704) 841-6000  
 Fax: (704) 841-6020

www.apollovalves.com

	AGENCY	AREAS COVERED	EMAIL	PHONE	FAX
<b>SOUTHEAST REGION</b>	Mid South Marketing, Inc.	VA/MD/Washington, D.C./WV-East	michael.uecker@msmsales1.com	804-213-3801	804-213-3802
	Pro Marketing, Inc.	NC/SC/TN-East	sales@promarketinginc.net	864-578-4334	864-578-4889
	Spirit Group	FL (except Panhandle)	info@spiritgroupinc.com	407-291-6035	407-299-0378
	Tim Morales & Associates, Inc.	AL/FL Panhandle	sales@timmorales.com	251-602-8333	251-602-8339
	White Wolf Group	GA	info@whitewolfgroupinc.com	800-401-4870	888-908-9372
<b>SOUTHERN REGION</b>	BWC Inc.	LA (Commercial Products)	chuck@bwcassoc.com	504-734-0229	504-734-3711
	Marathon Flow Control	TX, OK, KS except Northeast, LA (Industrial)	sales@marathonflowcontrol.com	214-201-0100	214-201-0104
	Southern Marketing Group	MS/TN-West/AR/Bowie Cty.-TX	SMG49@bellsouth.net	901-547-0042	901-547-0035
<b>MIDWESTERN REGION</b>	FourMation Sales	MN/ND/SD/WI-West	ryan@fourmationsales.com	763-420-6900	763-420-6993
	Marshall-Rodeno Heartland	NE/IA (Except River Counties)	trodeno@marshallrodeno.com	303-575-6701	303-575-6706
	Midwest Spec	Northern OH, Western PA, WV	glsales@mwspec.com	330-538-0406	330-538-0410
	Midwest Spec	Southern OH, KY	rvsales@mwspec.com	513-353-9191	513-353-1589
	New Tech Marketing	Northern-IL/WI-East/IN/MI-UP/IA-River Counties	sales@new-techmarketing.com	630-378-4300	630-378-0343
	New Tech Marketing	MO/Southern IL/Northeast Kansas	ntm112@aol.com	618-394-0329	618-394-0427
V.E. Sales Co., Inc.	MI (Except Upper Peninsula)	tomv@vesalesinc.com	586-774-7760	586-774-1490	
<b>WESTERN REGION</b>	Elmco Duddy	CA - South	tduddy@elmcoduddy.com	626-333-9942	626-855-4811
	Gordon & Associates	WA, OR, AK, Northern counties ID	kenn@gordonandassoc.com	907-441-7184	425-228-7777
	HC Fletcher	CA - North (AB 1953 compliant product)	apollosales@hcfletcher.com	800-432-7047	949-660-9072
	Marshall-Rodeno Associated	CO/WY/MT/ID-SE/UT/NV-NE/NM/El Paso-TX	trodeno@marshallrodeno.com	303-575-6701	303-575-6706
	Romatec	CA - North PVF (non AB 1953)	apollo@romatec.com	877-530-3530	661-588-3534
	Southwest Valves	CA (Waterworks and Fire Protection)	d.burell@southwestvalve.com	559-261-2703	559-261-2711
	Southwestern Industrial Sales Co.	AZ/Nevada-SW	eduardop@sw-ind.com	480-458-5838	480-458-5843
Spec Management Group	HI	msmarch4@cox.net	949-481-4225	949-487-0990	
<b>NORTHEAST REGION</b>	Conroy & Griese Sales, Inc.	NY-East/NJ-North	iezzi52@aol.com	856-663-4440	856-663-6644
	Keith Engle & Associates	OEM accounts	keith.enge@verizon.net	610-827-9560	610-827-9561
	Layden Company	NY-Upstate/PA-East/DE/NJ-South	joejr@laydencompany.com	610-363-6657	877-529-3361
	Urell, Inc.	MA/New England States	conbraco@urell.com	617-923-9500	617-926-9414
<b>IRRIGATION ONLY REPS</b>	Active Sales Northwest, Inc.	OR, WA, Western ID	skactive@aol.com	541-726-0320	541-726-1148
	Biz Sales Company	OH, KY, MI, IN, parts of PA, WV, WI	dzavelson@bizpvf.com	216-595-2888	216-595-2899
	Fourmation Sales	MN/ND/SD/WI-West	dean@fourmationsales.com	763-262-4700	763-262-4740
	Hall Marketing	AL, LA	hallmarketing@bellsouth.net	228-547-4637	228-832-6666
	J&J Midwest Sales	NE, IA, MO, KS	john@jandjmidwestsales.com	314-422-8419	
	Jim Benton & Associates	AL, FL Panhandle	jim@bentonandassoc.com	205-664-1221	205-664-1277
	John Hart	FL	jhart@lascofittings.com	772-595-7773	772-489-4305
	Larry Perkins	TX - Southern	lperkins@lascofittings.com	936-443-1096	
	Marel Enterprises	New England, NY, DE, MD, VA, DC, parts of PA & WV	marelenterprise@gmail.com	631-271-1718	631-427-8558
	Marshall-Rodeno Associated	CO/WY/MT/ID-SE/UT/NV-NE	trodeno@marshallrodeno.com	303-575-6701	303-575-6706
	NSC Marketing Group Inc.	OK	nsc_tulsa@sbcglobal.net	918-627-5340	918-664-1408
	Pro Marketing, Inc.	NC/SC/TN-East	sales@promarketinginc.net	864-578-4334	864-578-4889
	Sherman Dobbs	TX - Northern	sdobbs@lascofittings.com	469-442-8510	972-417-9733
	Southern Marketing Group	MS/TN-West/AR/Bowie Cty.-TX	SMG49@bellsouth.net	901-547-0042	901-547-0035
	Spec Management Group	CA-South	msmarch4@cox.net	949-481-4225	949-487-0990
VPC Sales	AZ	chudson@vpcsales.com	661-257-3923	661-257-3928	
<b>CANADA</b>	Barclay Sales Ltd.	British Columbia	bbarclay@barclaysales.com	604-945-1010	604-945-3030
	Conbraco Industries, Canada	178 Pennsylvania Ave., Unit 1, Concord, Ontario L4K 4B1	conbraco.canada@conbraco.com	905-761-6161	905-761-6666
	D & M Mechanical Sales	Ontario/East	don@dandmsales.ca	613-384-7084	613-384-3407
	Dynamic Agencies, Ltd.	Saskatchewan	doug.dynamicage@sasktel.net	306-343-1901	306-343-1901
	J. Levandier Sales, Inc.	Nova Scotia, New Brunswick, Prince Edward Island & Newfoundland	service@jlevandiersales	506-858-1615	506-858-1084
	Kern Industries, Ltd.	Alberta-North	kernind@telusplanet.net	780-451-2056	780-454-6687
	Kern Industries Calgary, Ltd.	Alberta-South	marty.yucytus@kernindustries.ca	403-730-7791	403-239-8179
	Key to the North Sales Agency, Inc.	Ontario-North	hmehes@keytothenorth.ca	705-524-6714	705-566-0148
	Task Controls, Inc.	Ontario	infotoronto@taskcontrols.com	416-291-3004	416-754-3481
	Tom Beggs Agencies Ltd.	Manitoba/NW Ontario	tba@mts.net	204-953-1900	204-774-6915
	Ventes Techniques Nimatec	Quebec	nimatec@nimatec.com	450-691-9427	450-691-4949