

FV 150-DT

The Fabricast FV 150-DT is a cast knife gate valve featuring dual teflon seat rings, stainless steel body, packing gland, and yoke. It is designed and tested to conform with MSS SP-81, and ASME B16.5 Class 150 specifications.

The heavy-duty cast body features machined faces. It is designed to withstand up to 150 PSI of pressure as required by MSS SP-81.

The retainer rings make changing the rings and converting the valve to a v-port type quick and easy.

Our teflon seat rings provide a bi-directional, drip-tight seal across the gate for any pressure up to 150 PSI. Like a butterfly valve, it uses a removable retaining ring and precompressed o-rings to provide a sealing pressure, positively securing the seats against the gate.

The stainless steel stem resists corrosion, and is accompanied by a ball bearing yoke bushing that to reduce operating torque. (6" and larger valves)

Our Teflon Synthetic Packing is rated standard with a Ph range of 3-11, and temperature rating up to 500° F.

Converting from the handwheel operator to cylinder, bevel gear, or electric motor is easy and requires no additional welding.



Fabricast Valve Company

2205 Parrott Way
Kelso, WA 98626
toll free 1-877-264-2503
phone (360) 425-0306
fax (360) 425-0353
<http://knifegates.com/>

Optional Operators see www.knifegates.com for details



Cylinder



Bevel Gear



Electric Motor



Chain Wheel



Lever

Fabricast Valve

Knife Gate Valves & Custom Fabrication / phone (360) 425-0306, fax (360) 425-0353

FV 150-DT

Fabricast Valve



Fabricast Valve Company

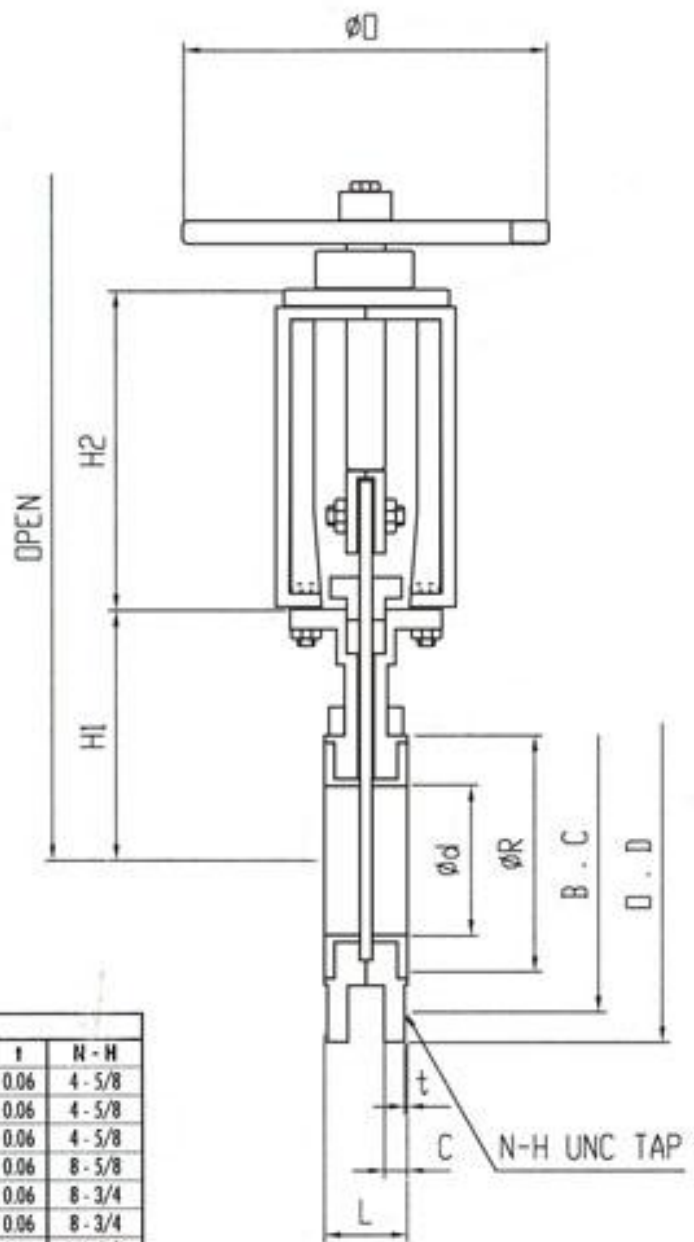
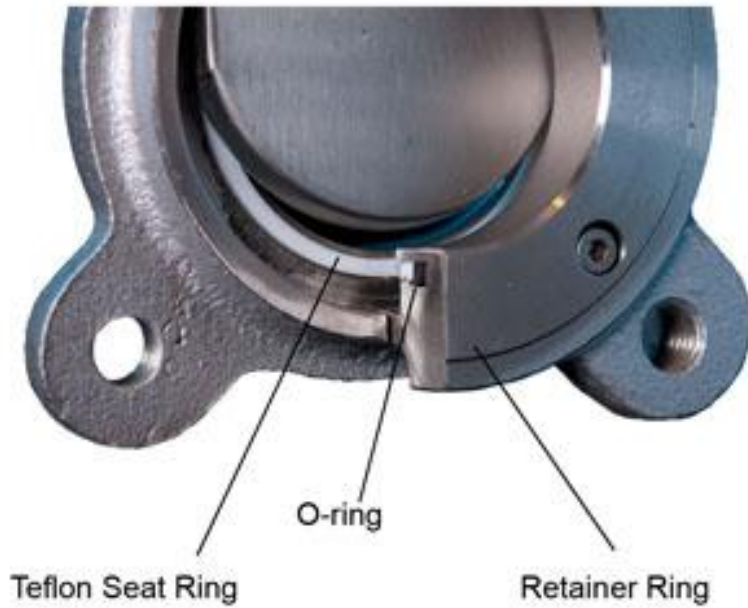
2205 Parrott Way

Kelso, WA 98626

toll free 1-877-264-2503 phone (360) 425-0306

fax (360) 425-0353 <http://knifegates.com/>

FV 150-DT



Dimensions (Inches)

VALVE SIZE	L	Ød	OPEN	H1	H2	H3	O	FLANGE					
								O.D.	B.C	R	C	t	N-H
2	1.88	1.85	14.75	4.21	5.49	*	7.09	6.00	4.75	3.62	0.50	0.06	4 - 5/8
2-1/2	2.00	2.25	16.17	4.72	5.94	*	7.09	7.00	5.50	4.19	0.50	0.06	4 - 5/8
3	2.00	2.76	18.18	5.00	6.67	*	7.87	7.50	6.00	5.00	0.50	0.06	4 - 5/8
4	2.00	3.74	21.65	6.10	7.81	*	9.84	9.00	7.50	6.19	0.50	0.06	8 - 5/8
6	2.25	5.71	29.88	7.42	12.26	*	11.81	11.00	9.50	8.50	0.63	0.06	8 - 3/4
8	2.75	7.48	36.95	9.76	14.54	*	13.78	13.50	11.75	10.62	0.63	0.06	8 - 3/4
10	2.75	9.45	44.06	11.93	17.00	*	15.75	16.00	14.25	12.75	0.75	0.06	12 - 7/8
12	3.00	11.42	50.75	14.09	16.93	3.24	17.72	19.00	17.00	15.0	0.75	0.06	12 - 7/8
14	3.00	13.00	57.11	15.47	19.94	3.48	19.68	21.00	18.75	16.25	0.81	0.06	12 - 1
16	3.50	14.57	64.95	18.11	22.28	3.67	21.65	23.50	21.25	18.50	0.88	0.06	16 - 1
18	3.50	16.54	70.65	19.92	24.19	3.67	21.65	25.00	22.75	21.00	0.94	0.06	16 - 1-1/8
20	4.50	18.50	77.17	22.36	27.18	3.67	21.65	27.50	25.00	23.00	1.00	0.06	20 - 1-1/8
24	4.50	22.40	90.18	26.30	31.31	3.67	21.65	32.00	29.50	27.25	1.00	0.06	20 - 1-1/4

Fabricast Valve
Knife Gate Valves & Custom Fabrication / phone (360) 425-0306, fax (360) 425-0353